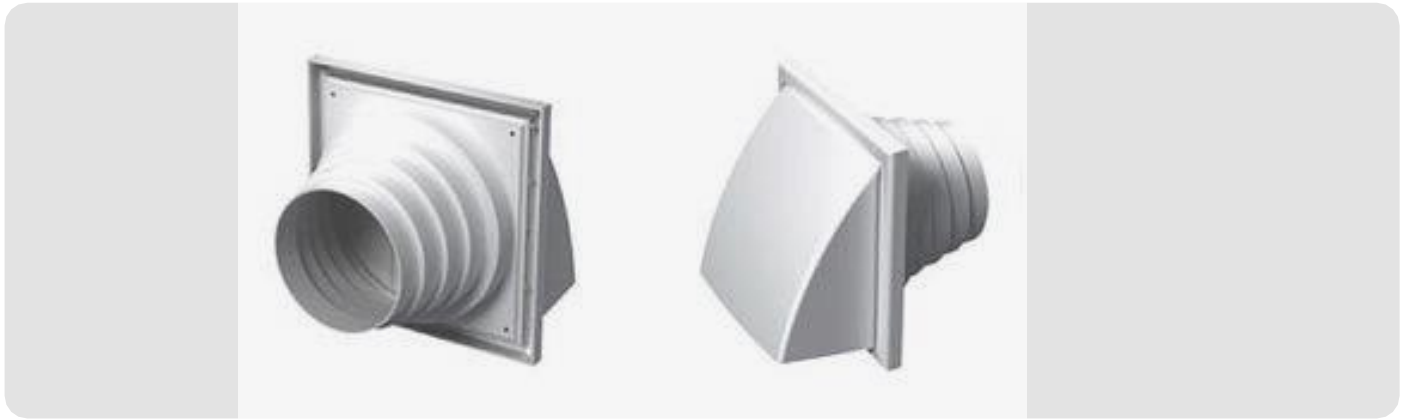


# Ejection grid

## EJECTION GRID



## CARATTERISTICHE

External grid for suction and expulsion, with butterfly non-return damper.

**Material of construction:**  
ABS.

**Color:**  
white.

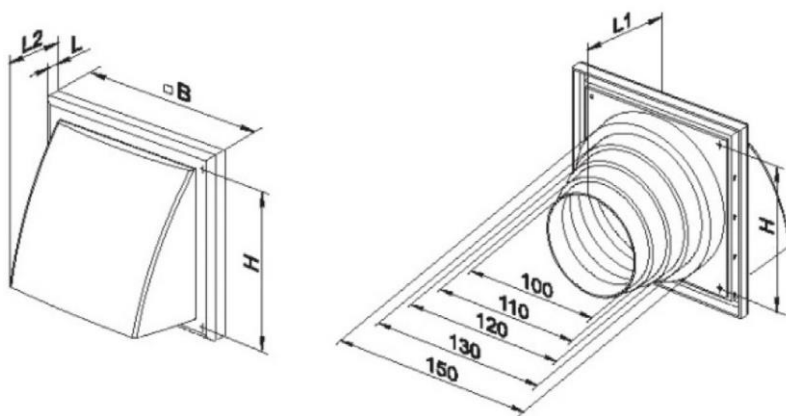
**Universal collar:**  
Ø100 / Ø110 / Ø120 / Ø130 / Ø150 mm.

**Degree of extinction:**  
V0 class.

**Operating temperature:**  
-30°C ...+70°.

**Fixing methods:**  
screws

## DRAFT



## TECHNICAL SPECIFICATIONS

Code	B X B (MM)	H (MM)	L (mm)	L1 (mm)	L2 (mm)	H (mm)	collars	Effective area	Butterfly damper gravity REMOVABLE
VMGEESFB	186 x 186	142	15	115	101	130	Ø100.....Ø150	0,012 m2	V