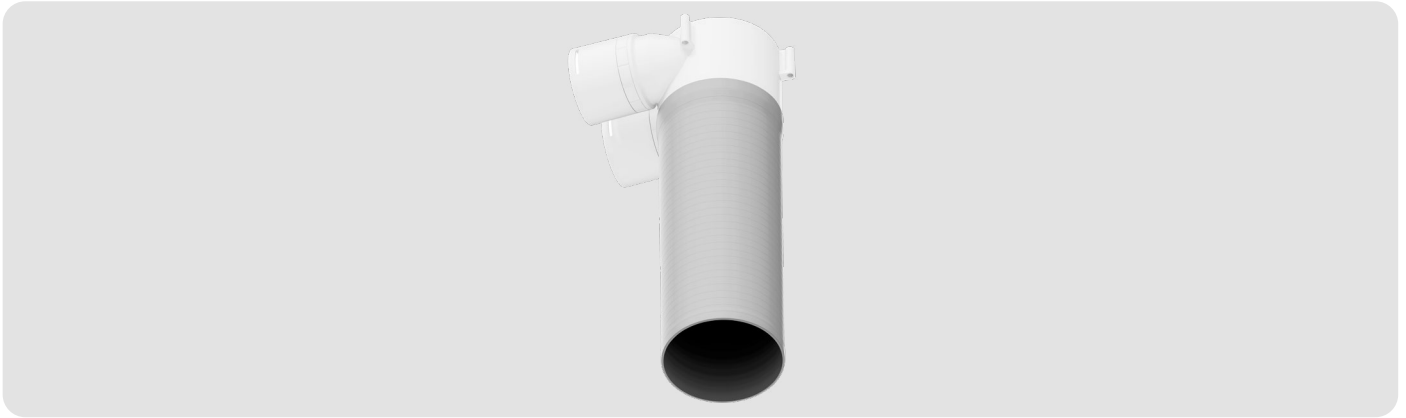


Ø125 pp circular adapters of airpu' ceiling system

CIRCULAR ADAPTERS Ø125 CEILING COD. VMAVCPRO75AP (WITH Ø75 COLLARS) AND COD. VMAVCPRO90AP (WITH Ø90 COLLARS)



FEATURES

90° connection adapters, complete with extension, for ventilation valves/grills of nominal diameter Ø125 mm for both air supply (intake) and air return (extraction). For connection to one or 2 round Ø75 or Ø90 semi-rigid pipes. RAL7035 gray-light color.

Included within the Ø75 and Ø90 collars are sealing rings (gaskets) that must be removed on site and applied to the first throat of the semi-rigid pipe.

They basically consist of a cylindrical «body» with an inner diameter Ø125 mm, a Øint. «tube-extension.» 125 mm inset on the «body,» removable by hand with effort, and by «Grey» collars screwed to the body by threaded ferrules.

They are equipped with eco-friendly plastic mortar-saving template on the Ø125 pipe mouth.

The «tube-extension» has a length of 346 mm and a maximum useful length of 333 mm. It is cut on the spot with raised marks at 1 cm pitch to facilitate precision cutting.

To ensure tightness and for anti-unraveling safety between the adapter body and the extension tube, an adhesive bandage is provided, which is recommended to be used in any case (see photo at right).

Materials of construction:

Adapter body, collars and extension are made of PP, with antibacterial properties.

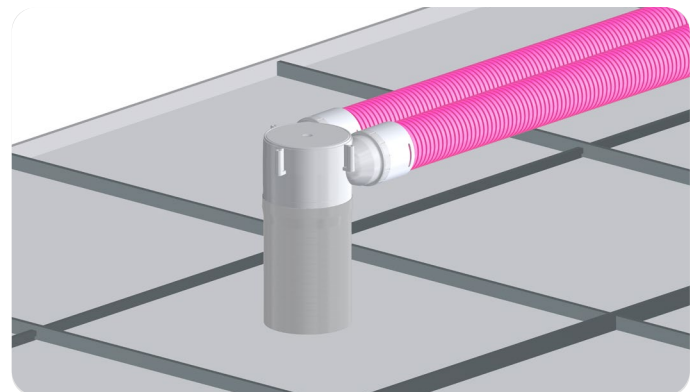
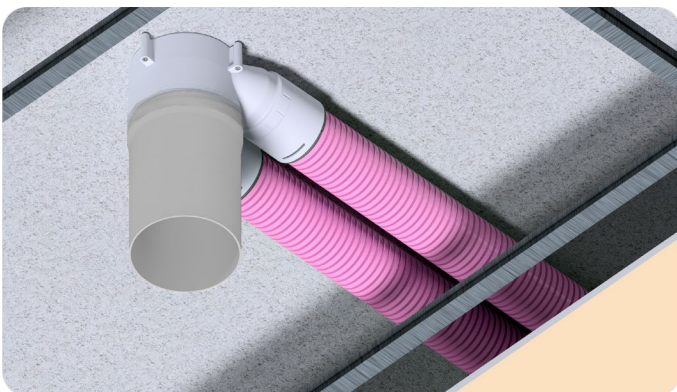
Fixing methods:

Ceiling-mounted installable. Three supports having Ø5 mm holes for possible insertion of fixing screws are provided on the outside of the adapters. In addition, on the inner part of the "cap" there are invitations in case you want to take advantage of that part to attach screws. For fixing above the plasterboard extrados, the optional panel is available (see next page as an accessory).

NOTE: See also adapters data sheet for more information. Ø125 circulars for walls.

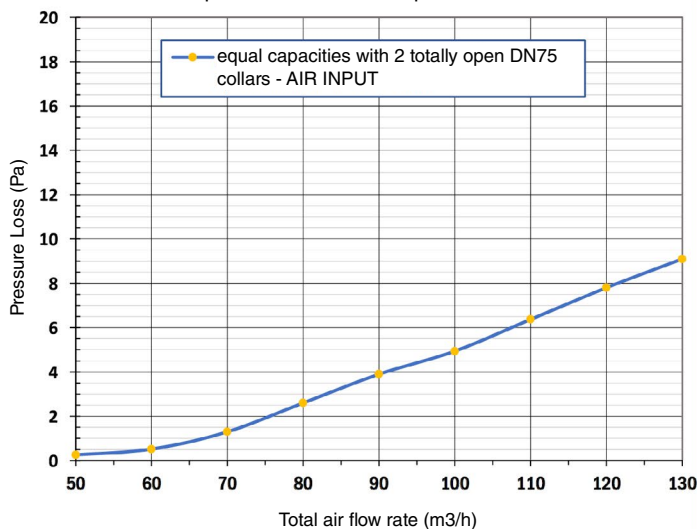


CEILING INSTALLATION

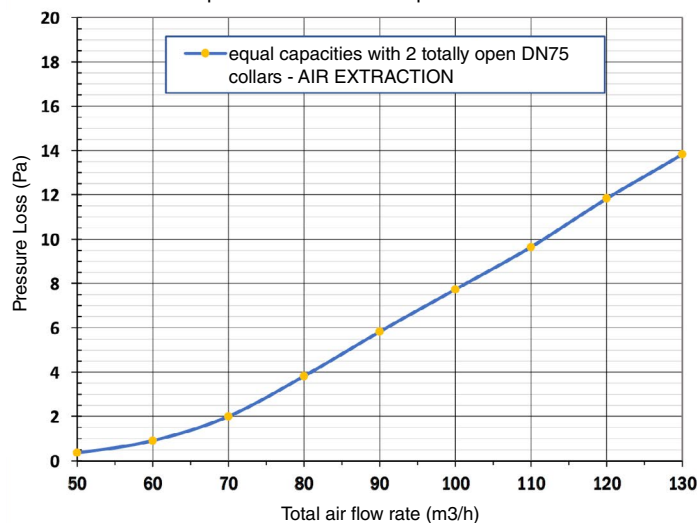


LOAD-CARRYING CAPACITY-LOSS CHARTS

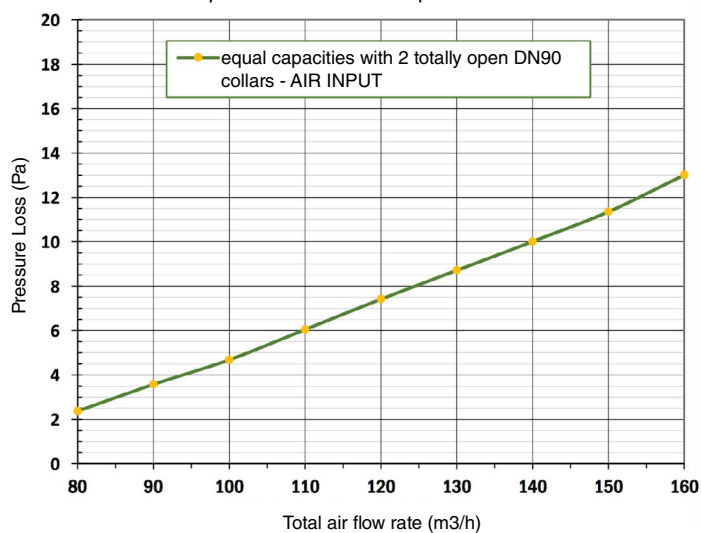
Adapter VMAVCPRO75AP for air intake
Q-Dp chart for DN125 adapter with extension



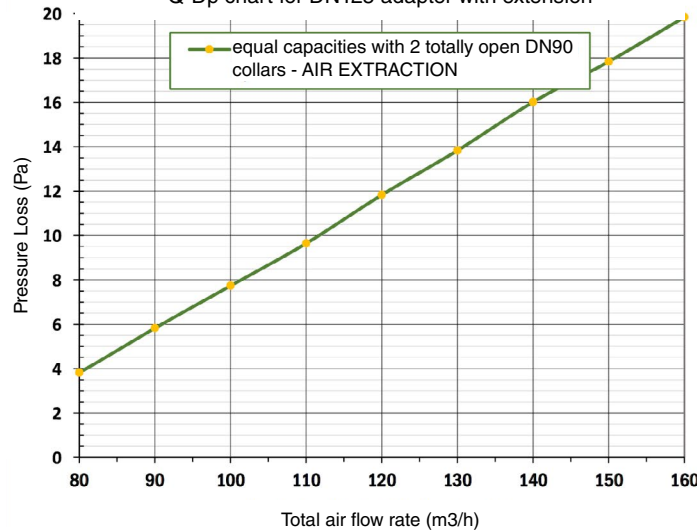
Adapter VMAVCPRO75AP for air extraction
Q-Dp chart for DN125 adapter with extension



Adapter VMAVCPRO90AP for air intake
Q-Dp chart for DN125 adapter with extension



Adapter VMAVCPRO90AP for air extraction
Q-Dp chart for DN125 adapter with extension



ACCESSORIES

Code	Description
VMLT125PROL	Extension for Ø125 circular adapter with environmentally friendly plastic mortar-saving cover-length. utle 33 cm
VMKFAV1251	Panel kit with 10 cm telescoping extension and Ø125 EPE ring for fixing adapter or for fixing Ø125 flex pipe on plasterboard
VMCFA186375	Anti-slip ring (optional) for collar Grey Ø75 - conf. 10 pcs.
VMCFA187590	Anti-slip ring (optional) for Grey Ø90 collar - conf. 10 pcs.

The adapters in this series allow them to be coupled together to make distribution boxes with Ø125 connection and, respectively, 4 collars (in the case of two coupled adapters) or 6 collars (in the case of three coupled adapters) of Ø75 or Ø90 diameter. See the FITT/Airplast catalog for items and accessories for such "Airbox Ø125" series distribution boxes.

DIMENSIONAL DRAWINGS AND PHOTOS

Adapter cod. VMAVCPRO75AP from above
VMLT125PROL

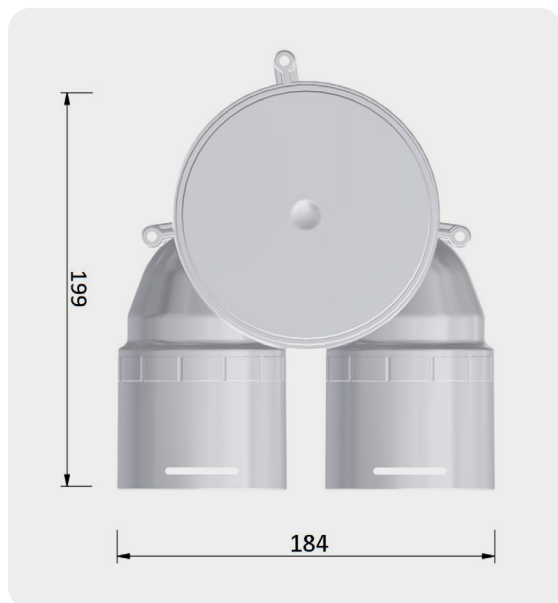


Photo of an adapter seen from underneath



Adapter cod. VMAVCPRO75AP with additional extension cable cod.

