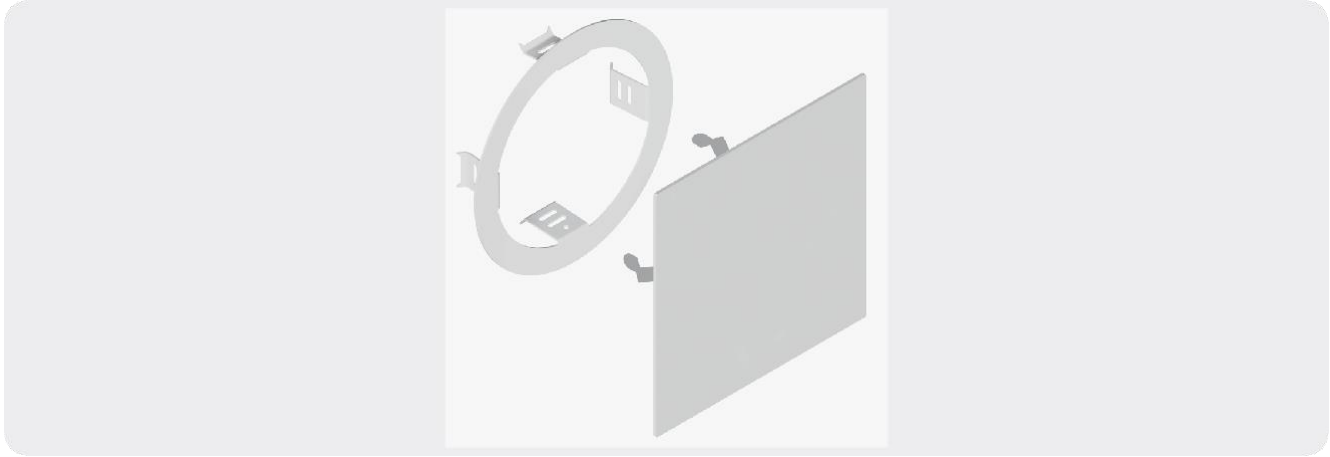


# Flat panel speaker for Ø125 adapter

WHITE 170x170 FLAT SCREEN FLAT DIFFUSER FOR ADAPTER Ø125 COD. VM DP17X17B1251



## CARATTERISTICHE

Square diffuser with Ø125mm pipe/adapter frame that can be used for both air intake and extraction in indoor environments. Consisting of a flat white square screen spaced from the wall or ceiling so as to spread air tangentially to the wall on all four sides. Tabs on the frame allow the screen-wall distance and thus the airflow rate to be adjusted in two steps (plus a fully closed position). The diffuser screen is removable and very easily reassembled for cleaning.

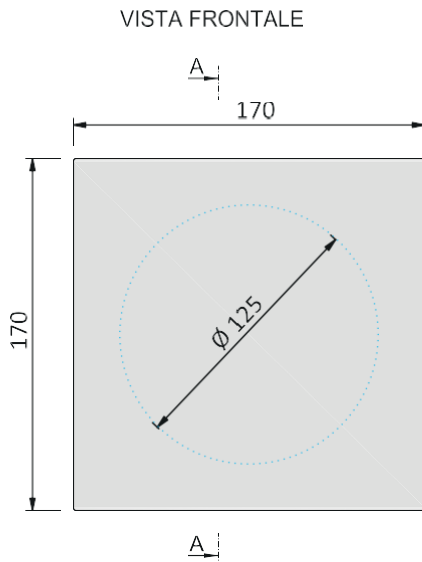
### Materiali di costruzione

- Aluminum 2 mm thick for the screen and 1 mm thick for the frame, painted RAL 9010.
- Steel for the screen springs.

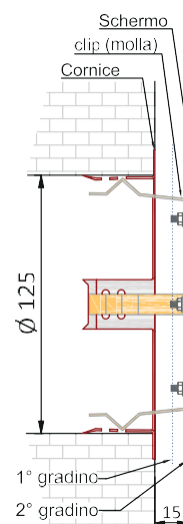
### Installation locations

On the wall, on the ceiling, on the false ceiling \* . (For ceiling/ceiling installations, attach a safety lanyard if necessary, not supplied).

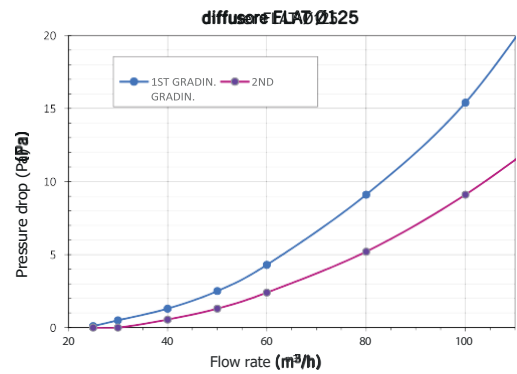
## DIMENSIONS



## SEZIONE A-A



## GRAPHIC



Cornice in alluminio sp. 1 mm bianco RAL9010  
Schermo in alluminio sp. 2 mm bianco RAL9010

## QUICK SELECTION TABLE

Location	Total air crossing area [m <sup>2</sup> ]	Flow rate ( m <sup>3</sup> /h) with v <sub>through, effect.</sub> =1m/s*	Flow rate ( m <sup>3</sup> /h) with v <sub>through, effect.</sub> =2m/s*	Flow rate ( m <sup>3</sup> /h) with v <sub>through, effect.</sub> =3m/s*
1st step	0.0033	12	24	36
2nd step	0.0063	23	45	68

REV 11/2024