

Ø125 pp circular adapters of airpiu' wall system

CIRCULAR ADAPTER Ø125 COD. VMAVC75AP



CIRCULAR ADAPTER Ø125 COD. VMAVC90AP



FEATURES

90° connection adapters for ventilation valves/grills of nominal diameter Ø125 mm for both air supply (intake) and air return (extraction), for connection of 1 or 2 round Ø75 or Ø90 semi-rigid pipes.

They essentially consist of a cylindrical body with an inner diameter of Ø125 mm approx., a Ø125 cap integral with the body, and two couplings with «Grey» type collars (Ø75 for the VMAVC75AP model or Ø90 for the VMAVC90AP model) screwed to the adapter body by the interposition of threaded ferrules.

For the characteristics of the «Grey» collars, their flow adjustment by removing the sectors on the embedded caps, etc. see the relevant data sheet.

They are equipped with eco-friendly plastic mortar-saving template on the Ø125 mouth.

Included within the Ø75 and Ø90 collars are sealing rings (gaskets) that must be removed on site and applied to the first throat of the semi-rigid pipe.

Materials of construction:

Body, ferrules and collars are made of PP (polypropylene) that is antistatic and antibacterial.

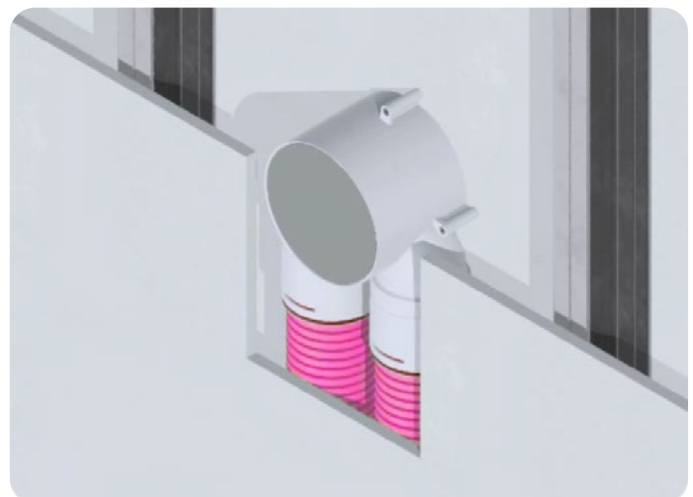
Fixing methods:

Can be installed on the wall or also on the ceiling and counter-ceiling (in case a Ø125 extension is needed, see the specific data sheet for adapters equipped with standard extension).

On the outside of the adapters there are prepared three supports with Ø5 mm holes for possible insertion of wall fixing screws or for insertion of nylon threaded rods in case the adapters are to be used to be joined in «boxes.»

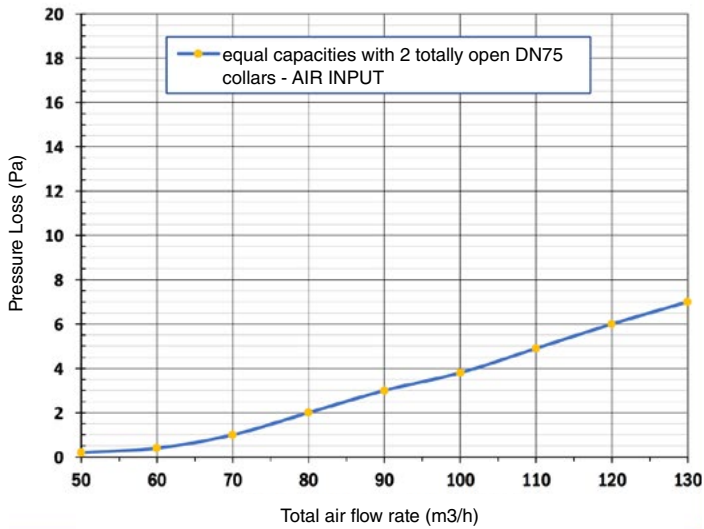
In addition, on the inner face of the cap there are invitations in case you want to drill that part for fixing with screws.

EXAMPLE OF FIXING BY EXTERNAL SCREWS

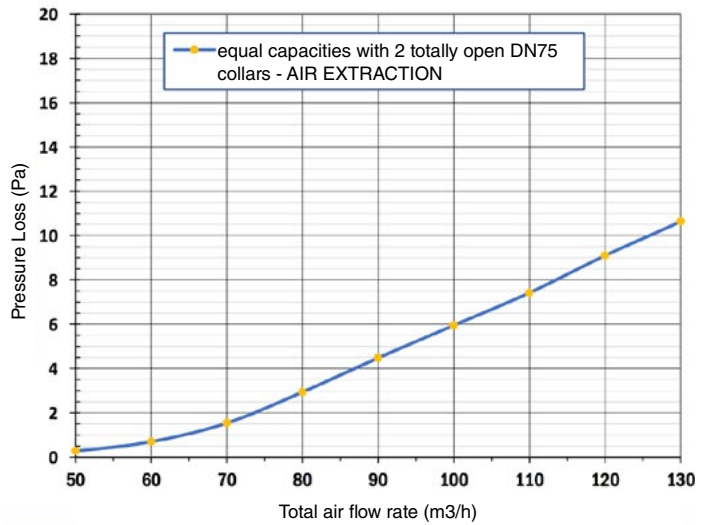


LOAD-CARRYING CAPACITY-LOSS CHARTS

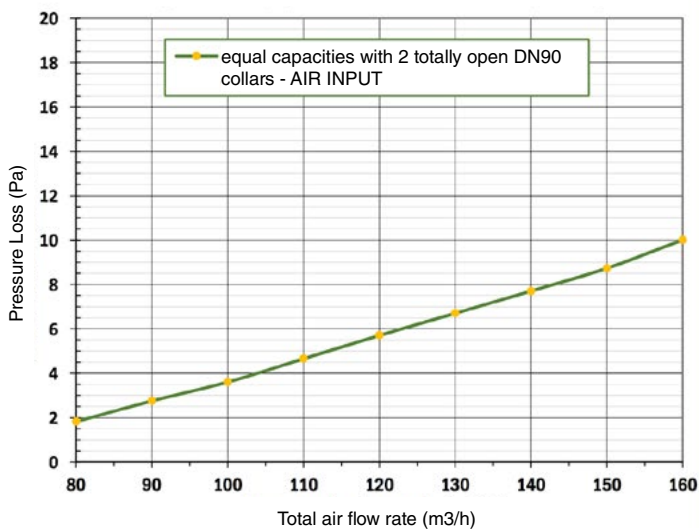
VMAVC75AP Adapters for air intake
Q-Dp chart for DN125 adapter without extension



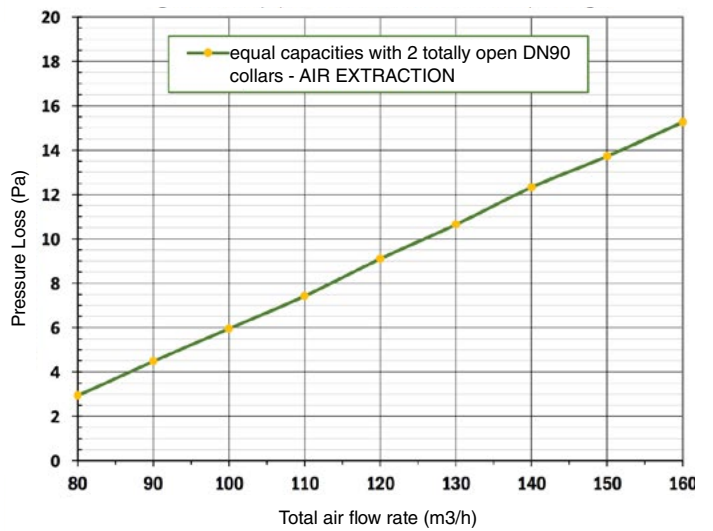
VMAVC75AP Adapters for air extraction
Q-Dp chart for DN125 adapter without extension



VMAVC90AP Adapters for air intake
Q-Dp chart for DN125 adapter without extension



VMAVC90AP Adapters for air extraction
Q-Dp chart for DN125 adapter without extension



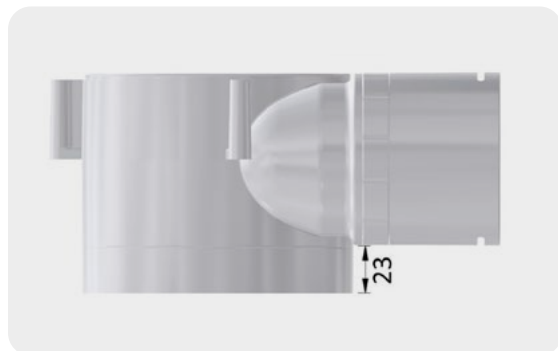
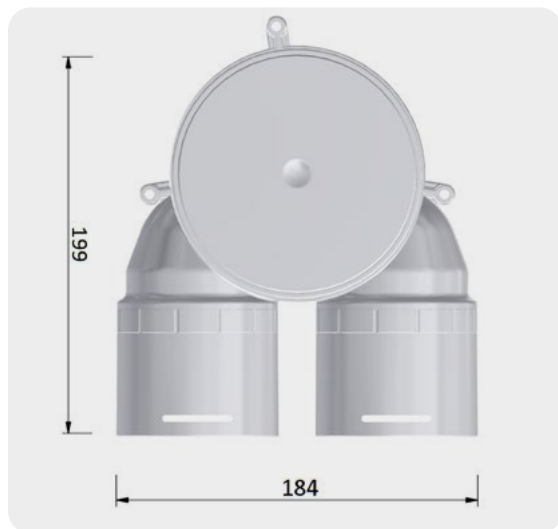
ACCESSORIES

Code	Description
VMLT125PROL	Extension for Ø125 circular adapter with environmentally friendly plastic mortar-saving cover-length. utle 33 cm
VMKFAV1251	Panel kit with 10 cm telescoping extension and Ø125 EPE ring for fixing adapter or for fixing Ø125 flex pipe on plasterboard
VMCFA186375	Anti-slip ring (optional) for collar Grey Ø75 - conf. 10 pcs.
VMCFA187590	Anti-slip ring (optional) for Grey Ø90 collar - conf. 10 pcs.

The adapters in this series allow them to be coupled together to make distribution boxes with Ø125 connection and, respectively, 4 collars (in the case of two coupled adapters) or 6 collars (in the case of three coupled adapters) of Ø75 or Ø90 diameter. See the FITT/Airplast catalog for items and accessories for such "Airbox Ø125" series distribution boxes.

DIMENSIONAL DRAWINGS AND PHOTOS

Adapter cod. VMAVC75AP



Adapter cod. VMAVC90AP

