

PLENUM / LINEAR DIFFUSERS fitt agix LINE-S MONOBLOCK

PLENUM / LINEAR DIFFUSERS FITT AGIX LINE-S MONOBLOCK

PATENT
PENDING



FITT Agix LINE-S with Ø75 or Ø90 connections, ideal for VMC systems



FITT Agix LINE-S with Ø125 oval connections, ideal for climatisation systems

FEATURES

Single-slot "monoblock" linear diffuser, having the plenum constituting a single body with the diffuser itself. Made entirely of PVC. It is modular: multiple plenums can be easily joined to form a multiple-length plenum/diffuser.

When ordering, it is necessary to specify whether LINE-S is to be installed individually or in modules to be joined together at the construction site. In the second case also specify the length and in number of lines to be made

Built-in collars can be of two types:

- Grey threaded* that can be easily removed by unscrewing them, helping with a suitable bar. Ø75 or Ø90 Grey collars can be added instead of threaded caps© **, or threaded caps can be exchanged for Grey collars.

- Ø125 oval PP type, on the back side, which can be exchanged in place with the plates on the long side (reversibility). This solution is particularly suitable for air conditioning systems, which generally use Ø125 piping instead of Ø75/90.

*This solution is particularly suitable for VMC systems.

**community registered design number 015060943

Materials of construction:

PVC anti-condensation; PP "Grey" collars and PP threaded caps or PP OVAL Ø125 collars.
External insulation of closed-cell polyethylene foam thick. 3 mm.

Color:

- Color of PVC diffuser/plenum body: gray-light RAL7035
PAINTABLE;
- Color of 'isolam. est.: gray-light RAL7035; (Color of threaded caps: fuchsia).

Place of installation:

It is ideal for ceiling/ceiling installation, particularly on plasterboard. It can also be installed on walls, with special preference on drywall. Compatible plasterboard thicknesses for fixing, regardless of the model, are 12.5 and 15 mm.

METHOD OF FIXING THE PLENUMS ON THE PLASTERBOARD - (IF MODULAR PLENUMS) METHOD OF FIXING THE PLENUMS TO EACH

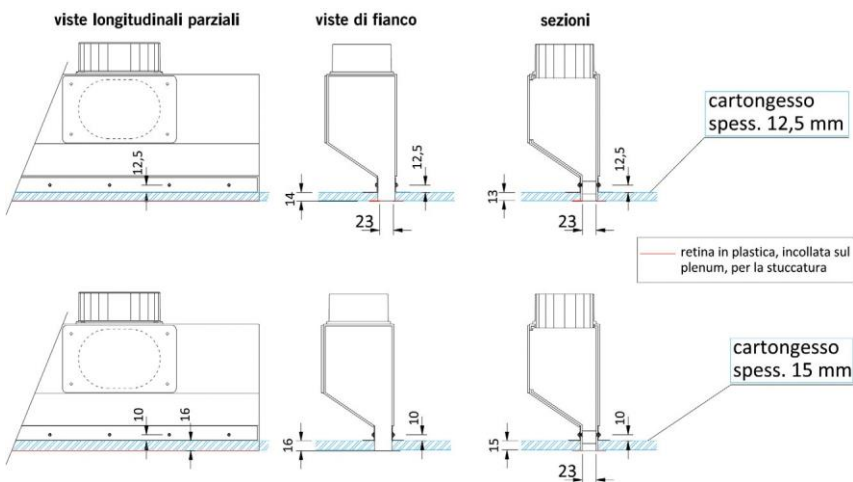
Fastening is provided with two pre-drilled galvanized sheet metal L-brackets, supplied complete with screws to be inserted on the pre-drilled holes on the PVC and the corresponding nuts. In the case of "modular" plenums (of multiple lengths), the L-shaped angles are to be laid "straddling" between the plenums side by side and, at the beginning and end of the line,

angles with a length of 495 mm provided for each specific line should be laid

NOTE: Fixing angle brackets on plenums is always recommended, however, even in non-plasterboard installations.

EXAMPLE OF INSTALLATION ON 12.5 MM AND 15 MM THICK PLASTERBOARD

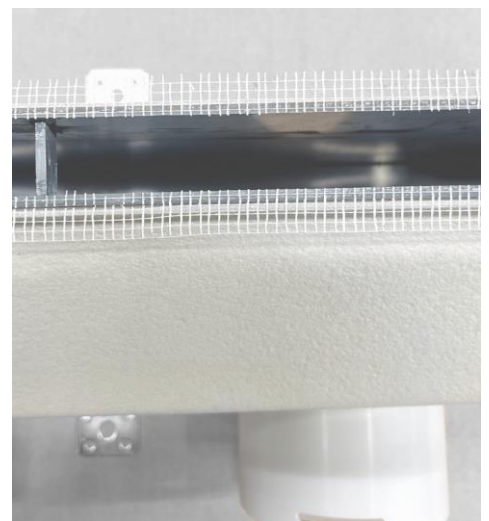
In the case of installation with 12.5 mm thick gypsum board, the perforated outer face "A" of the galvanized corners is used, while with 15 mm thick gypsum board, the perforated outer face "B" is used.



PARTICULARS

With the package comes a pair of adhesive insulating panels to be installed in place at the flanks (start and end) of the plenum line. A pair of galvanized L-shaped brackets, with corresponding PVC screws, is also supplied for ceiling or wall mounting. Screws and plugs for drywall/masonry are excluded.

For grouting on plasterboard: for gripping the edges of the diffuser mouth on plasterboard by grouting, the plenums are provided with a thin plastic mesh glued to the edges of the mouth and protruding outward by 1 or 2 cm.



NOTE: The two photos refer to two LINE-S (one 1000 mm and one 500 mm) in which the collars/collars were moved, on site, from the rear position to the side position.

PLENUM / LINEAR DIFFUSERS FITT AGIX "LINE-S"

| Code | Dimens. int. mouth (mm) | "GREY" Collars on the back side | Rear collars Ø125 ov. (by climate prevalentem.) | Total threaded plugs (including #1 on one of the two "sides") | Flow rate (m ³ /h) with v= 1 m/s | Flow rate (m ³ /h) with v= 2 m/s | Flow rate (m ³ /h) with v= 3 m/s | Effective length of plenum (excluding isolation. sides) x mouth height (mm) |
|-----------------|-------------------------|---------------------------------|---|---|---|---|---|---|
| VMDLINE5X75 | 494 x 23 | 2 x Ø75 | - | 3 | 40 | 80 | 120 | 500 x 23 |
| VMDLINE5X90 | 494 x 23 | 2 x Ø90 | - | 3 | 40 | 80 | 120 | 500 x 23 |
| VMDLINE1X75 | 994 x 23 | 4 x Ø75 | - | 5 | 83 | 166 | 249 | 1000 x 23 |
| VMDLINE1X90 | 994 x 23 | 4 x Ø90 | - | 5 | 83 | 166 | 249 | 1000 x 23 |
| VMDLINE235x1125 | 494 x 23 | - | 1 | Reversibility | 40 | 80 | 120 | 500 x 23 |
| VMDLINE365x1125 | 494 x 36 | - | 1 | by exchange with the blind plate fixed on the side long | 62 | 124 | 186 | 500 x 36 |
| VMDLINE231x2125 | 994 x 23 | - | 2 | | 83 | 166 | 249 | 1000 x 23 |
| VMDLINE361x2125 | 994 x 36 | - | 2 | | 126 | 252 | 378 | 1000 x 36 |

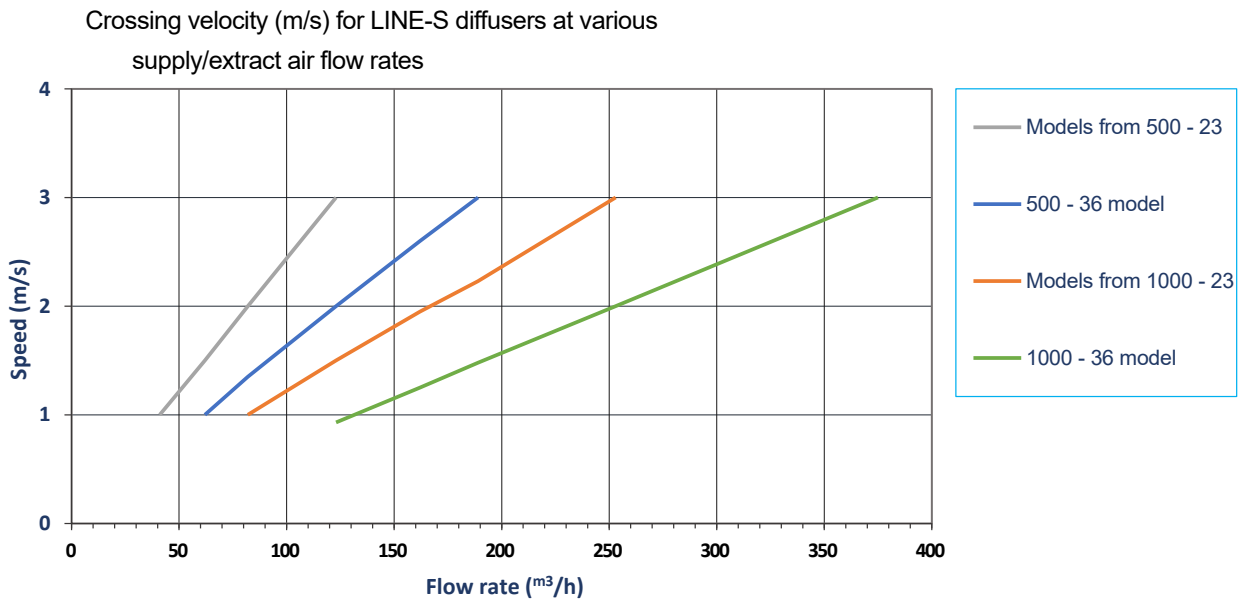
v=crossing velocity at the inlet port

ACCESSORIES

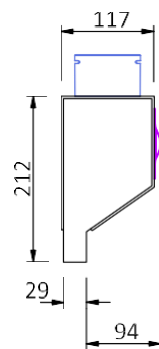
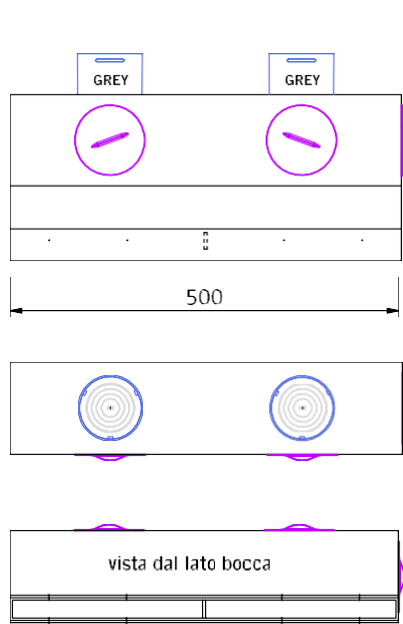
| Code | Description |
|-------------|---|
| VMDLINEK235 | kit consisting of no. 2 fins for LINE-S having inner mouth dimensions 494x23 mm |
| VMDLINEK231 | kit consisting of no. 4 fins for LINE-S having inner mouth dimensions 994x23 mm |
| VMDLINEK365 | kit consisting of no. 4 fins (in a double row) for LINE-S with mouth interior 494x36 mm |
| VMDLINEK361 | kit consisting of no. 8 fins (in a double row) for LINE-S with mouth interior 994x36 mm |

Specific optional accessories. Thin PP fins, which can be added (in production) to direct the airflow, including the relevant screws

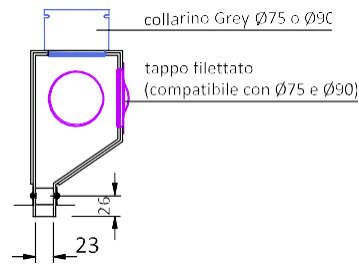
AIR FLOW RATE - SPEED GRAPH



DIMENSIONS | LINEAR PLENUM/DIFFUSER MOD. "LINE-S" L=500, MOUTH 23, WITH 2 COLL. GREY Ø75 OR Ø90 COD.



sezione con angolari installati



NOTE

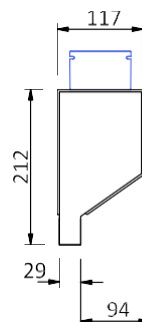
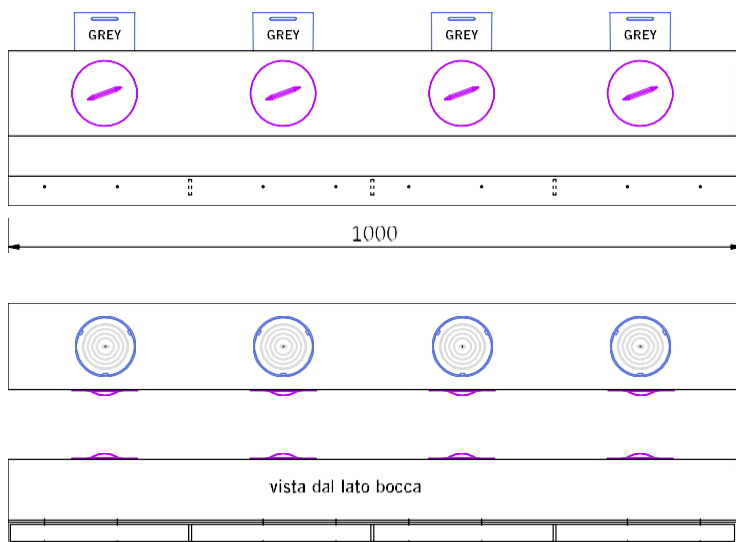
- Codici:
 - con collarini GREY Ø75: VMDLINE5X75
 - con collarini GREY Ø90: VMDLINE5X90

Corpo in PVC anticond. sp. 3 mm colore grigio chiaro RAL/035;
 isolamento esterno in PE esp. spess. 3 mm colore RAL7035;
 fianchi non isolati: viene inclusa una coppia di pannellini isolanti sagomati sciolti;
 viene inclusa una coppia di angolari zincati preforati + viti/dadi.

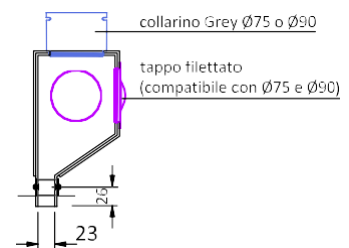
- interno bocca 494 x 23 mm; - esterno bocca: 500 x 29 mm;

- spessore cartongesso compatibile usando la faccia A dell'angolare: 12-13 mm;
 - spessore cartongesso compatibile usando la faccia B dell'angolare: 15 mm.

DIMENSIONS | LINEAR PLENUM/DIFFUSER MOD. "LINE-S" L=1000, MOUTH 23, WITH 4 COLL. GREY Ø75 OR Ø90 COD. VMDLINE1X(75/90)



sezione con angolari installati



NOTE

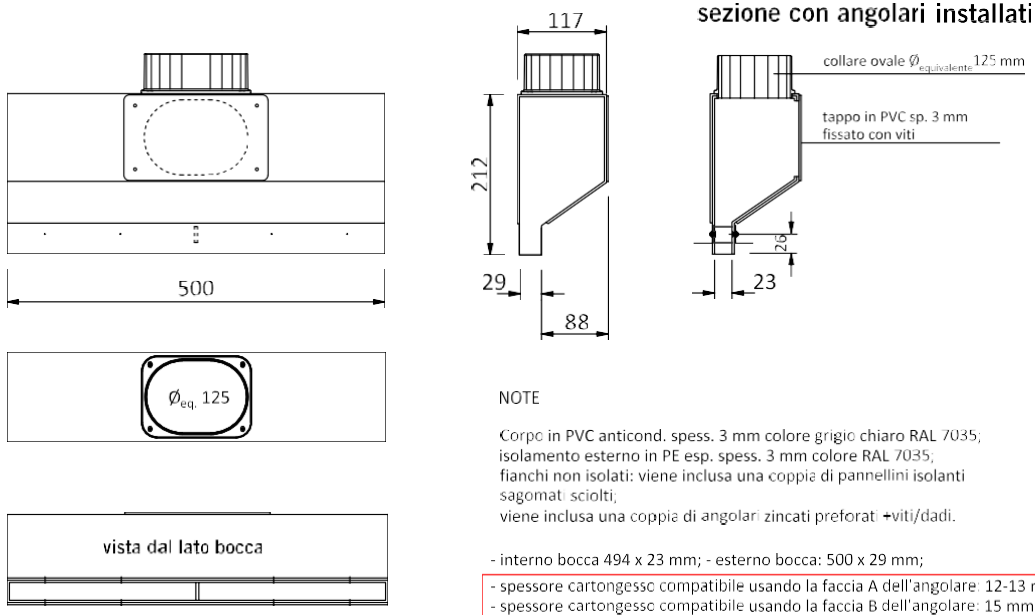
- Codici:
 - con collarini GREY Ø75: VMDLINE1X75
 - con collarini GREY Ø90: VMDLINE1X90

Corpo in PVC anticond. sp. 3 mm colore grigio chiaro RAL/035;
 isolamento esterno in PE esp. spess. 3 mm colore RAL7035;
 fianchi non isolati: viene inclusa una coppia di pannellini isolanti sagomati sciolti;
 viene inclusa una coppia di angolari zincati preforati + viti/dadi.

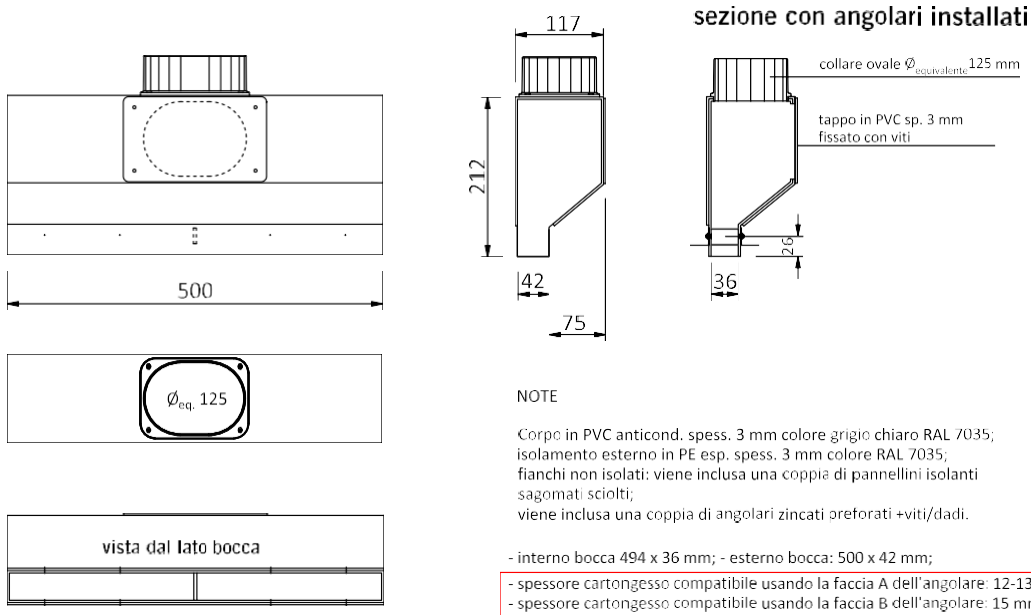
- interno bocca 994 x 23 mm; - esterno bocca: 1000 x 29 mm;

- spessore cartongesso compatibile usando la faccia A dell'angolare: 12-13 mm;
 - spessore cartongesso compatibile usando la faccia B dell'angolare: 15 mm.

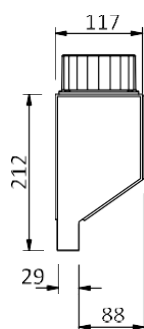
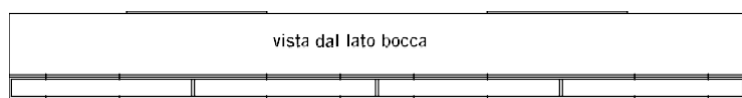
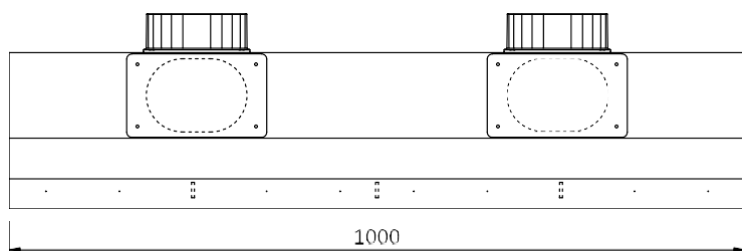
DIMENSIONS | LINEAR PLENUM/DIFFUSER MOD. "LINE-S" 500, PORT 23, WITH COLLAR Ø125 REVERS. COD. VMDLINE235X1125



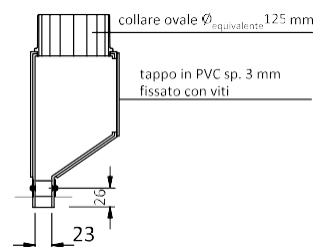
DIMENSIONS | LINEAR PLENUM/DIFFUSER MOD. "LINE-S" 500, PORT 36, WITH COLLAR Ø125 REVERS. COD. VMDLINE365X1125



DIMENSIONS | LINEAR PLENUM/DIFFUSER MOD. "LINE-S" 1000, PORT 23, WITH 2 COLLARS Ø125 REVERSIBLE COD. VMDLINE231X2125



sezione con angolari installati

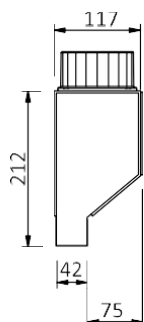
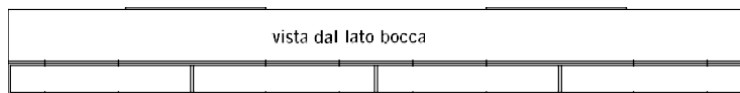
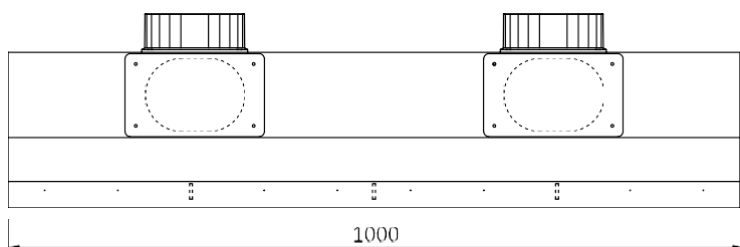


NOTE

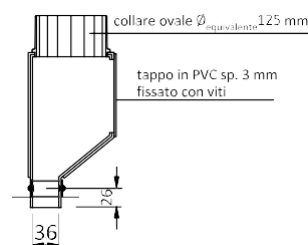
Corpo in PVC anticond. spess. 3 mm colore grigio chiaro RAL 7035;
isolamento esterno in PE esp. spess. 3 mm colore RAL 7035;
fianchi non isolati: viene inclusa una coppia di pannellini isolanti sagomati sciolti;
viene inclusa una coppia di angolari zincati preforati +viti/dadi.

- interno bocca 994 x 23 mm; - esterno bocca: 1000 x 29 mm;
- spess. cartongesso compatibile usando la faccia A dell'angolare: 12-13 mm;
- spess. cartongesso compatibile usando la faccia B dell'angolare: 15 mm.

DIMENSIONS | LINEAR PLENUM/DIFFUSER MOD. "LINE-S" 1000, PORT 36, WITH 2 COLLARS Ø125 REVERSIBLE COD. VMDLINE361X2125



sezione con angolari installati



NOTE

Corpo in PVC anticond. spess. 3 mm colore grigio chiaro RAL 7035;
isolamento esterno in PE esp. spess. 3 mm colore RAL 7035;
fianchi non isolati: viene inclusa una coppia di pannellini isolanti sagomati sciolti;
viene inclusa una coppia di angolari zincati preforati +viti/dadi.

- interno bocca 994 x 36 mm; - esterno bocca: 1000 x 42 mm;
- spessore cartongesso compatibile usando la faccia A dell'angolare: 12-13 mm;
- spessore cartongesso compatibile usando la faccia B dell'angolare: 15 mm.