

Ø125 adapter fastening kit - AIRPIU system

Ø125 ADAPTER FIXING KIT ON PLASTERBOARD (EXTENSION INCLUDED) - AIRPIU SYSTEM

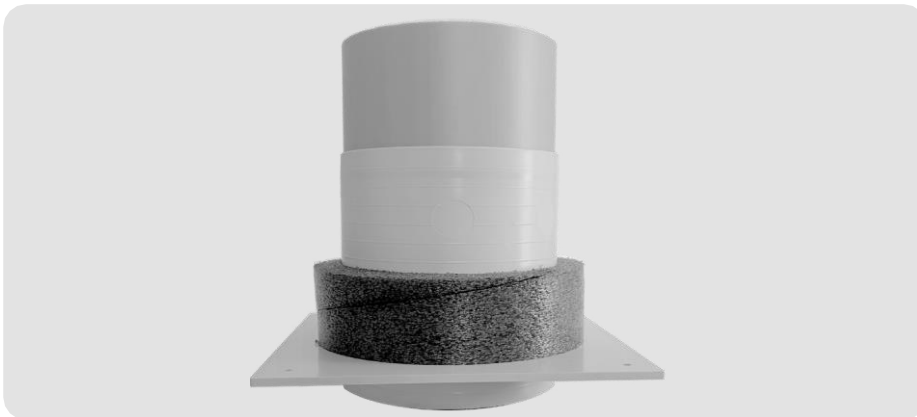
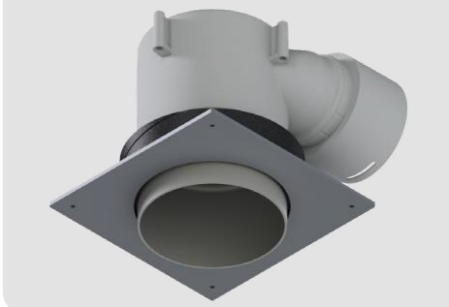


FIG.1

Possible adapter Ø125 excluded



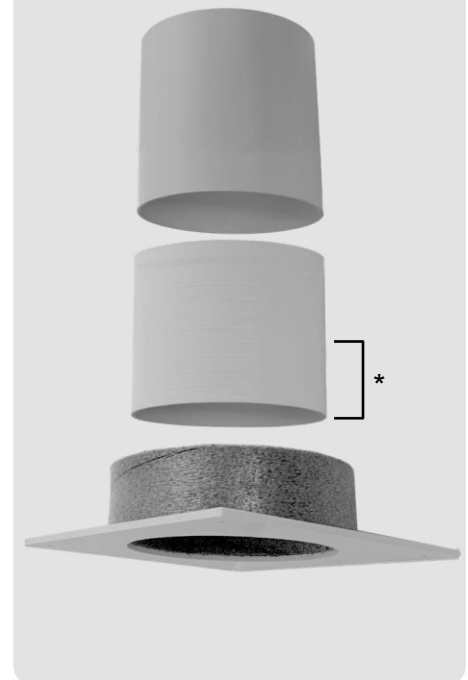
[fig. 1]
Example of a Ø125 panel with a multifunctional adapter engaged (the engagement must occur on the Ø125 pipe, not on the extension)

FIG.2



[fig. 2]
Telescopic extension in its maximum possible range below the plate (equal to 60 mm plasterboard thickness)

FIG.3



[fig. 3]
Picture of the three divided components of the kit (from the top: PP telescopic pipe, telescopic extension, PVC panel with glued EPE ring).

**It is recommended to leave an inner space of at least 38 mm unoccupied by the telescopic tube to allow for the housing of the ventilation valve or diffuser*

CARATTERISTICHE

Panel kit on plasterboard for ventilation terminals Ø125. The kit has a dual function:

- It allows a multifunctional adapter mod. VMAVC75AP / VMAVC90AP and place it on the extrados of the false ceiling, by placing the PVC panel on the plasterboard and fixing it, for example using screws (not supplied) or by gluing or with another system *[fig. 1]*.
- Allows a pipe (flexible or not) having Øint. 125 mm or larger to be attached to it.
The PP (telescopic) tube and extension tube with which the kit is equipped allow both to be cut to the desired length.

If necessary, part of the EPE ring can also be cut.

In case it is necessary to achieve a 'height greater than 240 mm between the ceiling and the back of the adapter (which has net height of 90 mm) a multifunctional adapter mod. VMAVCPRO(75/90)AP, equipped with an extension cord (which would then replace both the tube and the kit extension cord). It is recommended to cover the adapter-pipe-extension joints with duct tape.

NOTE. The adapters mod. VMAVC75AP and mod. VMAVC90AP (referred to in Fig.1) or VMAVCPRO(75/90)AP do not come with the kit. See also the relevant data sheets and in general the AIRPIU system data sheets.'

