

vmgair16 series outdoor grilles

VMGAIR16 SERIES GALVANISED STEEL OUTDOOR GRILLES



FEATURES

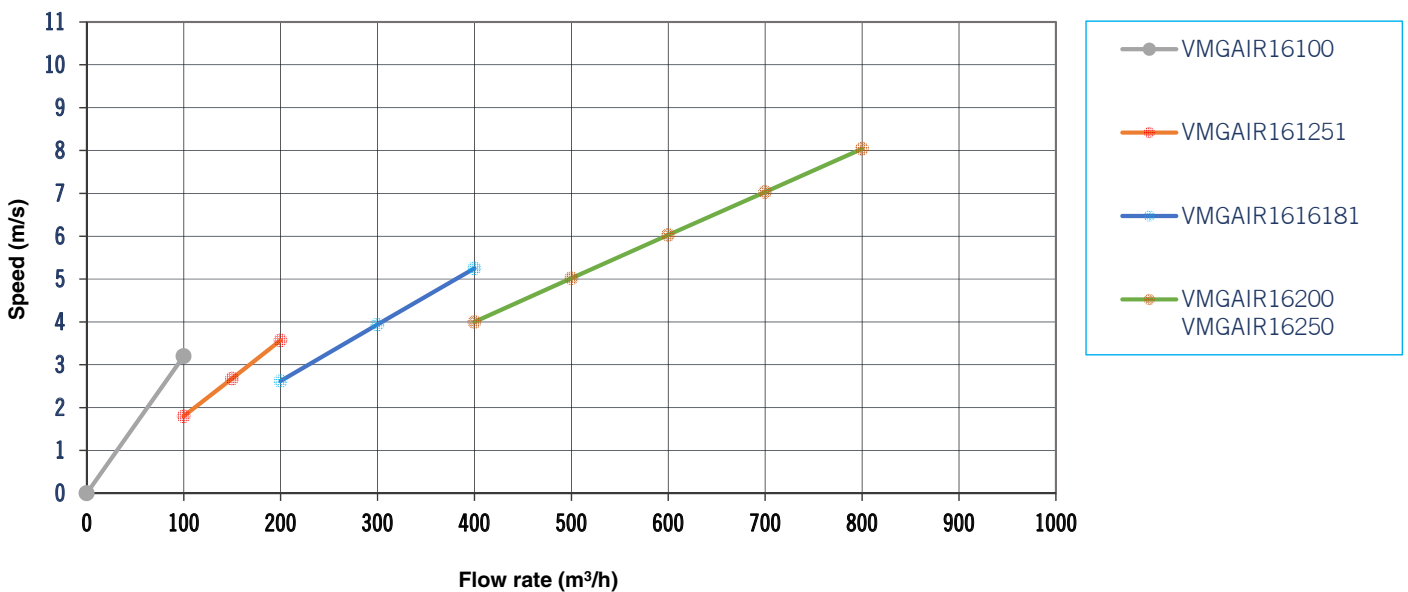
External air intake/exhaust grille, fitted with anti-insect mesh, inspectable.

Material of construction: 0.8 mm thick galvanized sheet metal.

Color:
White RAL 9010 (powder coating).

Fixing methods:
Screws and dowels Ø6x35 mm (included).
A lever to remove the cover, in the case of inspection and/or cleaning of the insect mesh, is also included.

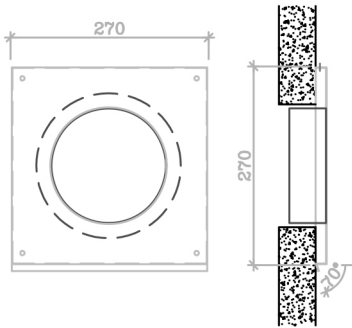
GRAPHIC



TECHNICAL SPECIFICATIONS

Code	Description	Finish
VMGAIR16100	metal outdoor grille with Ø 100 PP connection	RAL 9010
VMGAIR161251	metal outdoor grille with Ø 125 PP connection	RAL 9010
VMGAIR1616181	metal outdoor grille with Ø 160 / 180 PP connection	RAL 9010
VMGAIR16200	metal outdoor grille with Ø 200 PP connection	RAL 9010
VMGAIR16250	metal outdoor grille with Ø 250 metal connection	RAL 9010

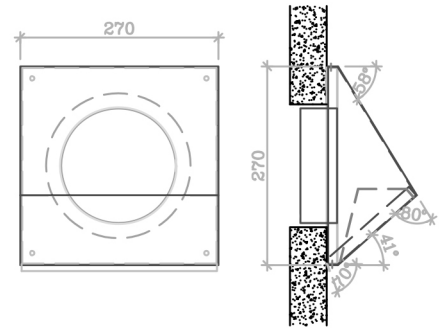
DETAIL DRAWINGS, AS EXAMPLE, OF A "VMGAIR1616181" GRILLE (BASE, COVER AND ASSEMBLED)



Drawing of the "base" of the grille, equipped with a drip pan, fixed on an exterior wall



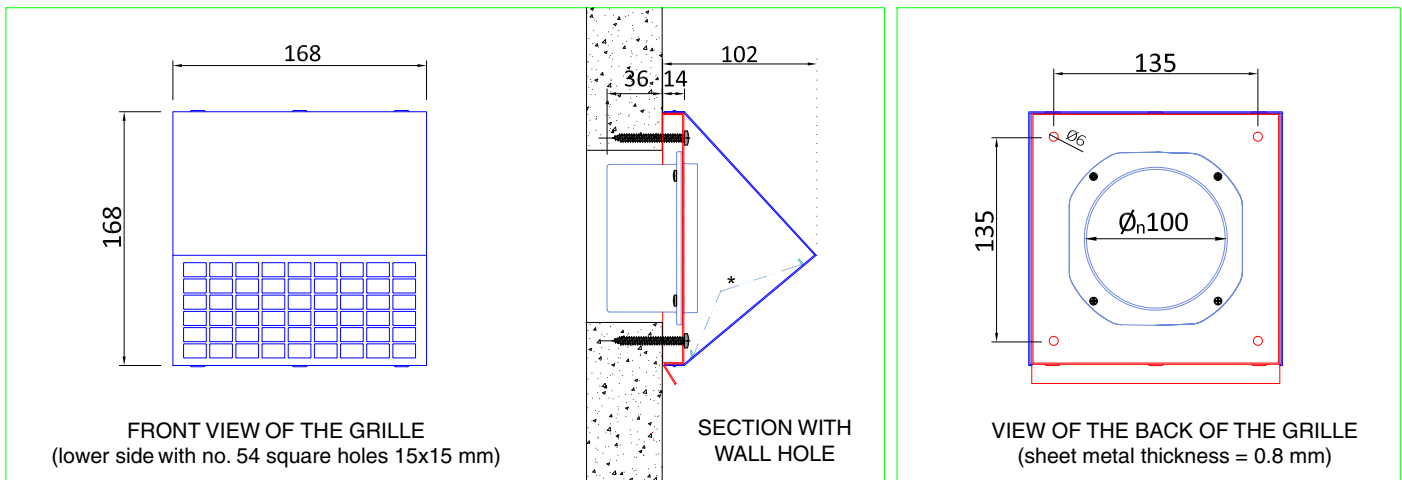
Cross-section drawing of the "cover" of the grille, to be snapped onto the "base"



Drawing of grille, complete with base + cover (easily removable), installed on wall

DIMENSIONS

VMGAIR16100 : 168x168 mm outdoor grille, for Ø100 mm, in galvanized sheet metal white RAL9010 powder coated



FRONT VIEW OF THE GRILLE
(lower side with no. 54 square holes 15x15 mm)

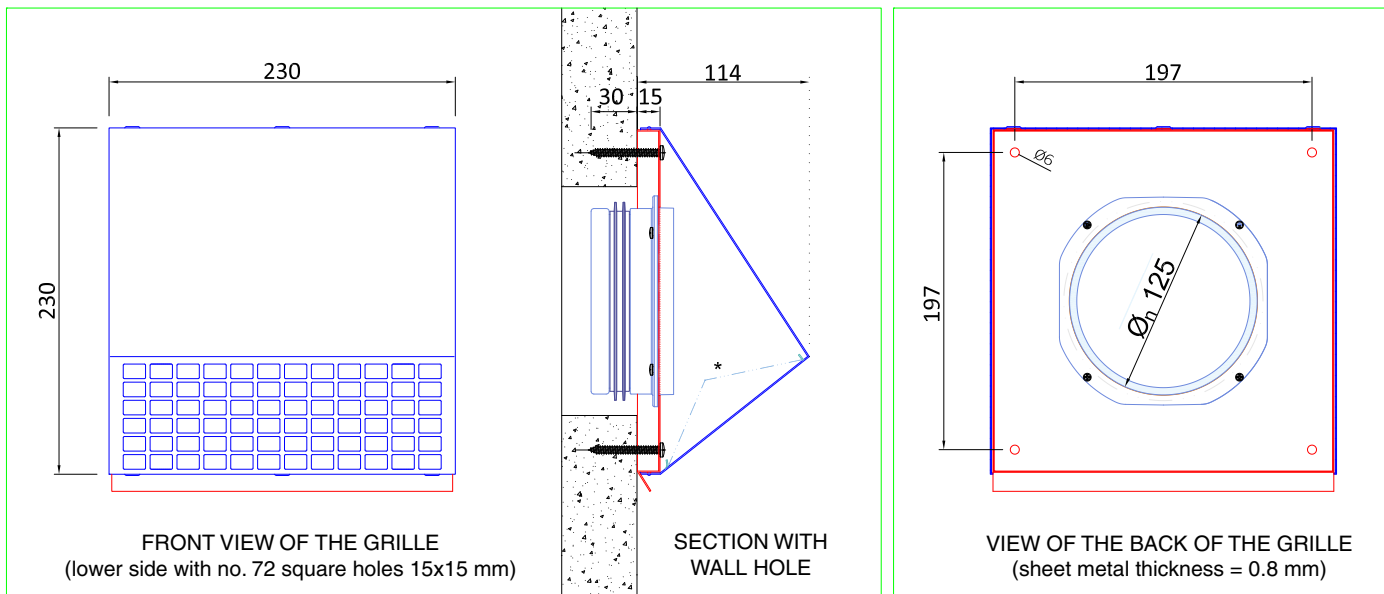
SECTION WITH
WALL HOLE

VIEW OF THE BACK OF THE GRILLE
(sheet metal thickness = 0.8 mm)

* Aluminium wire mesh for large insects

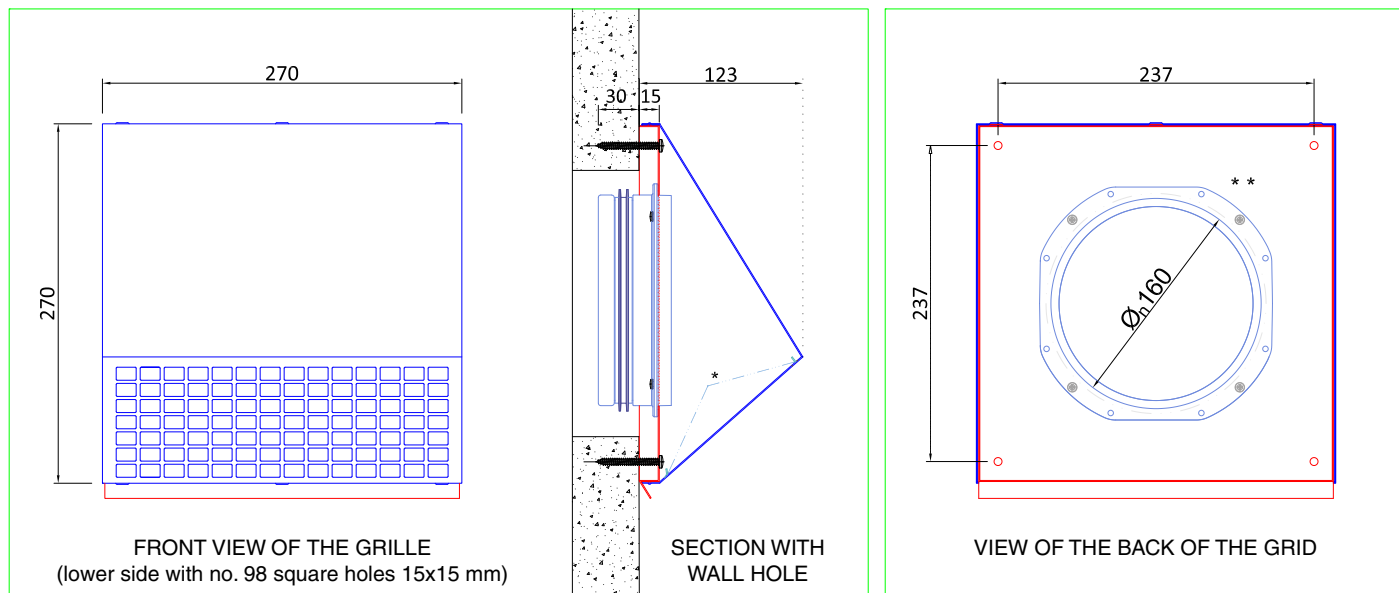
DIMENSIONS

VMGAIR161251 : 230x230 mm outdoor grille, for $\varnothing 125$, in galvanized sheet metal white RAL9010 powder coated



* Aluminium wire mesh for large insects

VMGAIR1616181 : 270x270 mm outdoor grille, for $\varnothing 160$ (or $\varnothing 180$), in galvanized sheet metal white RAL9010 powder coated

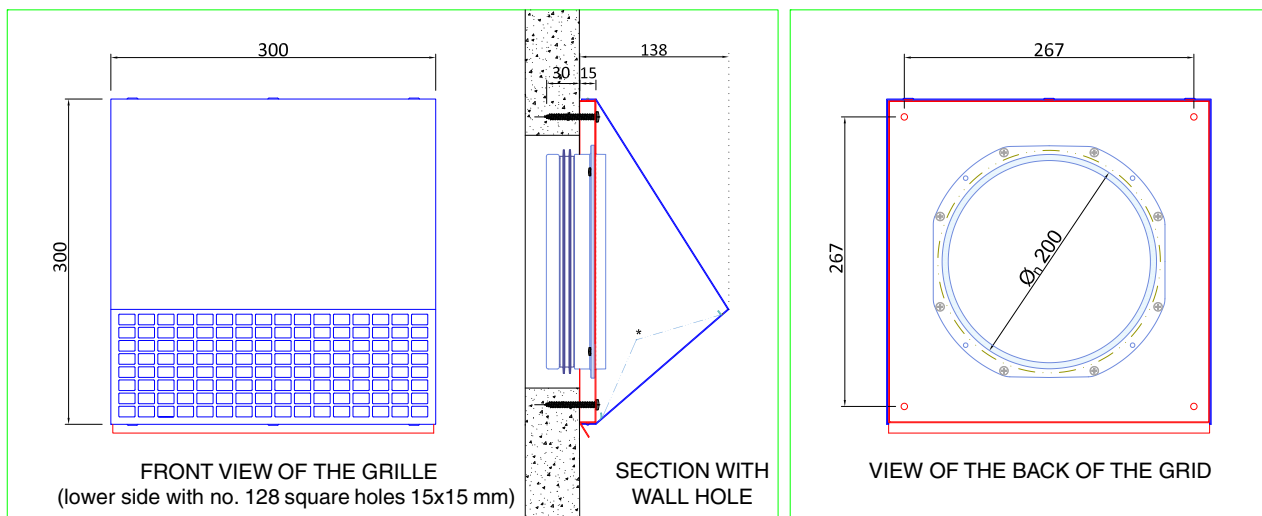


* Aluminium wire mesh for large insects

** $\varnothing 160$ mm collar comes with 10 mm PE foam overthickness for eventual use as $\varnothing 180$ mm collar.

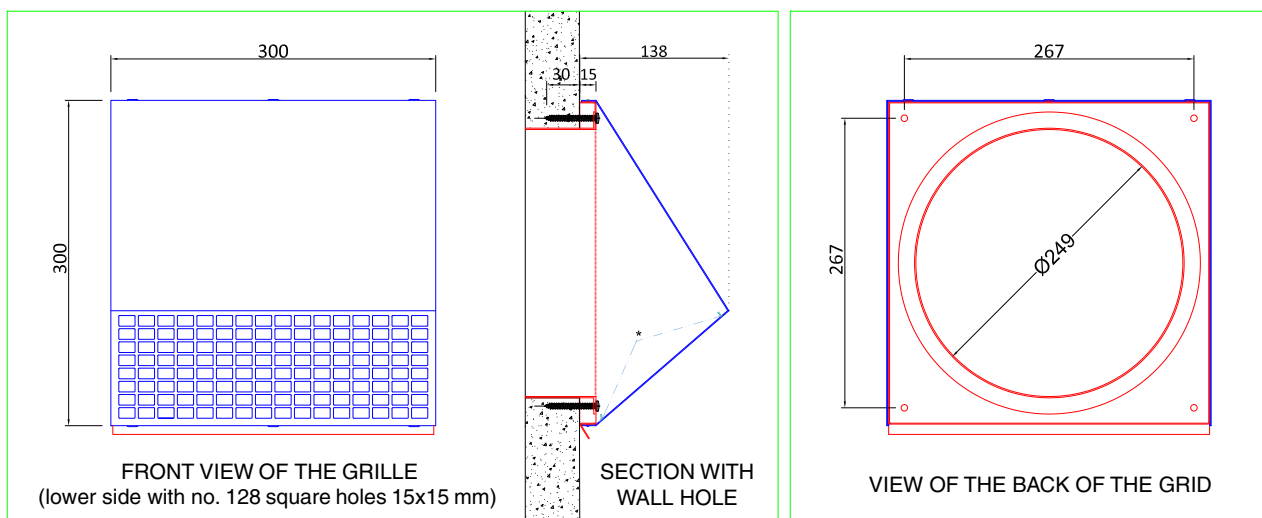
DIMENSIONS

VMGAIR16200 : 300x300 mm outdoor grille, for $\varnothing 200$, in galvanized sheet metal white RAL9010 powder coated

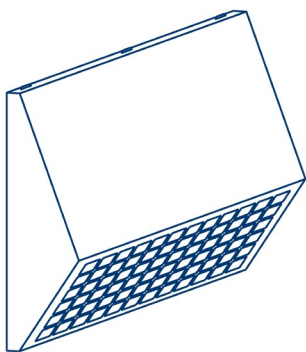


* Aluminium wire mesh for large insect

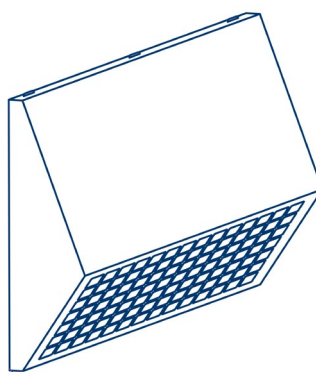
VMGAIR16250 : 300x300 mm outdoor grille, for $\varnothing 250$, in galvanized sheet metal white RAL9010 powder coated



* Aluminium wire mesh for large insect



VMGAIR161251 axonometry



VMGAIR1616181 axonometry

REV 12/2024