

# airpiú system components for semi-rigid pipe

---

## FEATURES

---

The AIRPIÚ system also includes a set of PP couplings for joining two round Ø75 and/or Ø90 semi-rigid pipe sections.

Each joint is composed of two 'Grey' collars, Ø75 and/or Ø90 diameter and a threaded union nut, for straight joints, or two threaded collars and a threaded PP bend for 90° curved joints.

The 'Grey' collars that make up the system are deprived, during production, entirely of the adjusting cap/nut; they are therefore completely free-flowing.

Each of the six articles shown below is marketed already assembled. Each article is made of anti-condensation, impact-resistant PP (polypropylene) with low localised pressure drop.

Connecting the pipes is very easy: it must be done by first installing, on the outermost groove of the semi-rigid pipe, the relevant gasket, i.e. the sealing ring code VMAT186375AP for the Ø75 pipe or the sealing ring code VMAT187590AP for the Ø90 pipe.

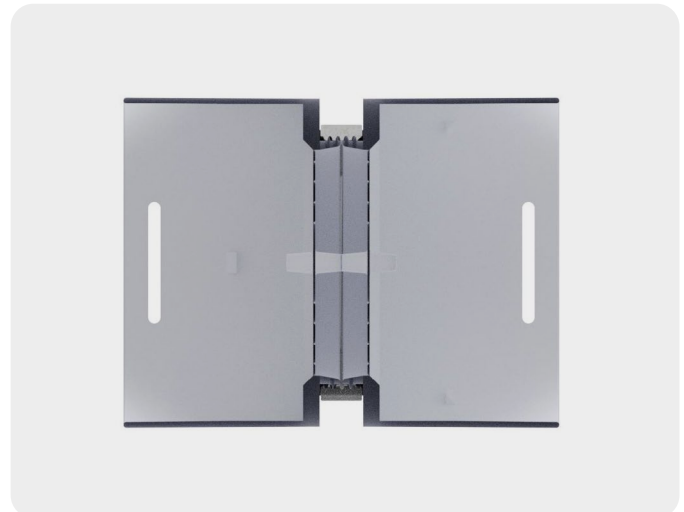
In addition, the PP anti-unthreading ring or the steel anti-unthreading fixing clip can be installed for additional safety.

**IMPORTANT NOTE.** Apart from the 'GREY' threaded collars, no loose individual components (PP ferrules, PP threaded bends) of the AIRPIÚ system are supplied.

---

## STRAIGHT JOINT (SLEEVE) FOR Ø75 PIPE COD. VMGI186375AP AND FOR Ø90 PIPE COD. VMGI187590AP

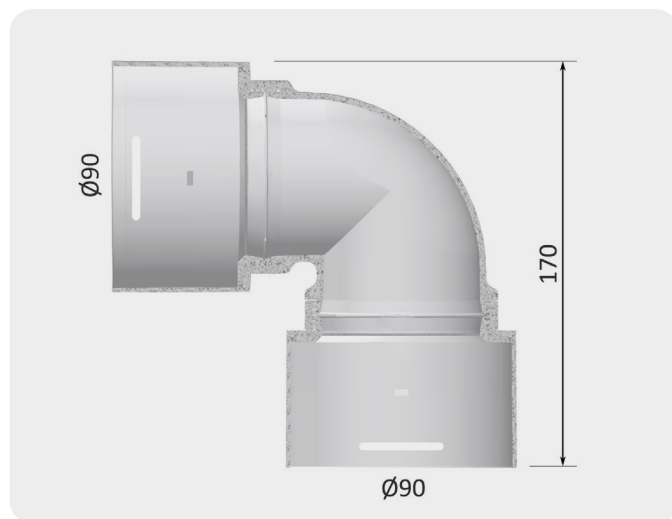
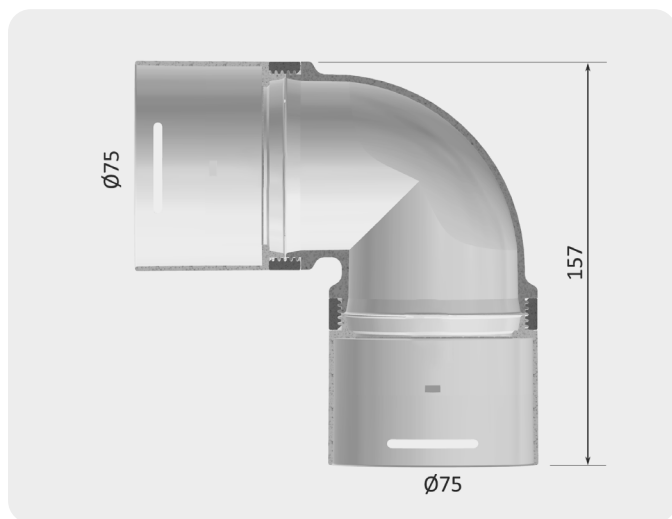
---



---

90° BEND FOR Ø75 PIPE COD. VMC1875AP AND FOR Ø90 PIPE COD. VMC1890AP

---



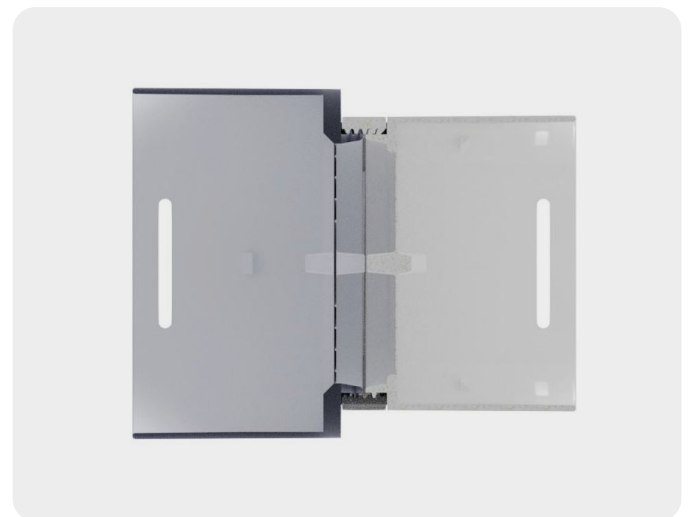
---

90° REDUCED BEND FOR Ø75-Ø90 PIPE COD. VMRC187590AP



---

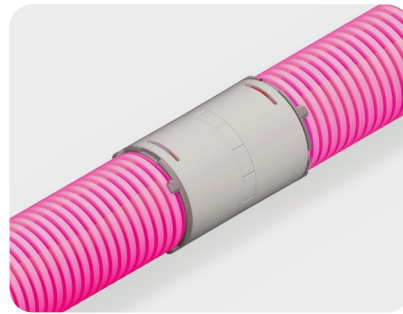
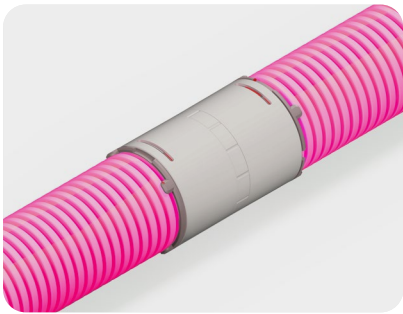
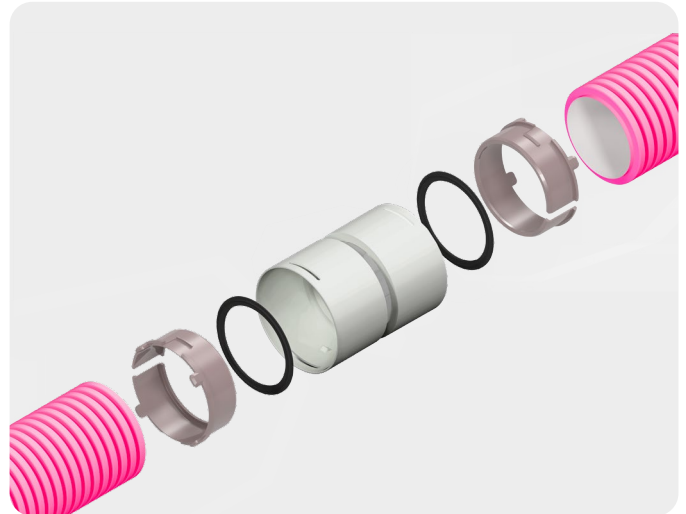
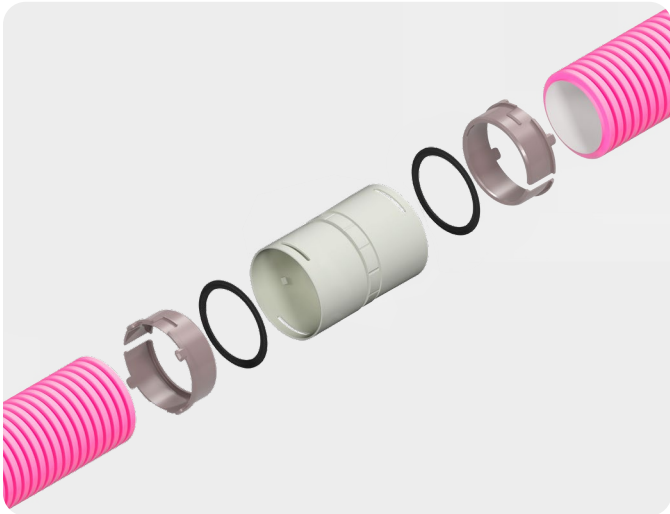
REDUCED JOINT FOR Ø75-Ø90 PIPE COD. VMRD187590AP



EXAMPLES OF PP JOINT ASSEMBLY USING SEALING RINGS (REQUIRED) AND ANTI-SLIP RINGS (OPTIONAL)

Ø75

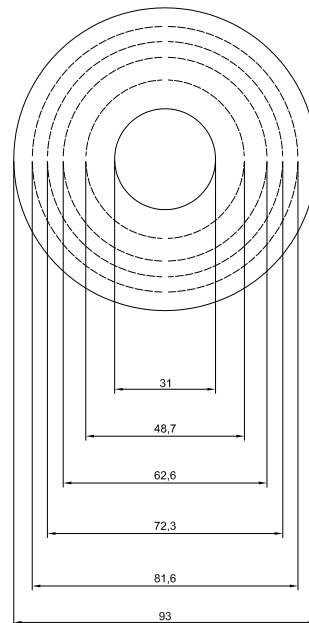
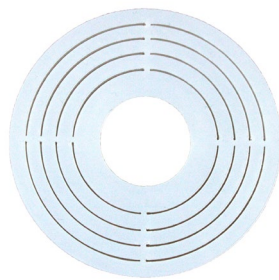
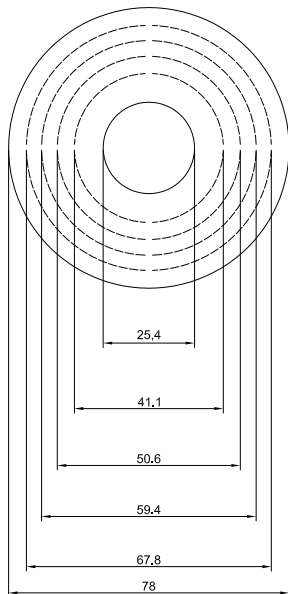
Ø90



FLOW REGULATORS COD. VMRP1875 AND COD. VMRP1890

Ø75

Ø90



REV 07/2024