



fitt agix®

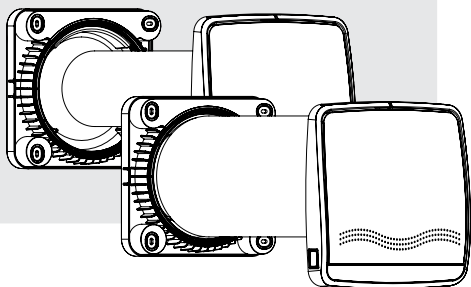
Designing wellness

agix point

FITT Agix Flat 30 APP Agix Point

FITT Agix Flat 60 APP Agix Point

Installation, use and maintenance
manual



fitt agix®

GENERAL INDEX

1. INTRODUCTION	
a. PRECAUTIONS	23
b. INTENDED USE	24
c. PRODUCT OVERVIEW	25
d. TECHNICAL DATA	26
2. INSTALLATION	
a. INTRODUCTION	27
b. PREPARATION	27
c. PRODUCT MOUNTING	29
d. ELECTRICAL CONNECTIONS	32
e. CONFIGURATION	32
f. CONFIGURATION RESET	32
3. INSTRUCTIONS FOR USE	
a. APP	33
4. MAINTENANCE	
a. WHEN IS NEEDED	34
b. HOW TO PERFORM	34
5. FAQ	38
6. NOTES	39

INTRODUCTION – PRECAUTIONS

This product is artistically made in conformity to applicable CEE rules and is manufactured to allow rooms and similar air change, wherever the product is installed. Please follow all these indications to ensure performance, mechanical and electrical reliability and keep always this instruction leaflet. Do not use this product for different application unless indicated by us.

1. Remove packing and make sure that the appliance is undamaged.
2. Check that your electrical voltage and frequency correspond to those marked on the fan rating label; Install the product so that the blades are at a height of at least 2,3 m above the floor.
3. This appliance must only be used for the purpose it was built for, i.e. air replacement for domestic and similar purposes.
4. Do not operate the appliance in the presence of inflammable vapors (alcohol, petrol, etc.).
5. Before carrying out any cleaning or maintenance disconnect the mains electrical supply to the fan by means of a double pole switch or remove the plug. Any maintenance and cleaning operation that requires dismounting the unit must only be done by someone who is a property qualified person.
6. Make sure you have completely assembled the product before running.
7. Periodically, at least once a year or more frequently in case of heavy use, remove dirt and incrustation from the impeller and motor casing and, if necessary, clean or replace the filter. It is also very important to make sure the impeller is not deformed or cracked, is able to rotate freely and without oscillation, and is properly fixed to the shaft.
8. When the appliance is out of use, remove the power lead. Moreover, make potentially dangerous parts harmless, especially with regard to children who might play with appliance when it is not in use.
9. Installation must be carried out by qualified personnel

according to manufacturer's instructions. Incorrect installation can cause damage to people, animals or properties for which the manufacturer cannot be considered liable.

10. The fan is a fixed appliance and the main supply must be done by flexible cable with plug or by a onnipolar switch with a minimum opening of the contacts of 3 mm.
11. When installing the fan in a room containing a combustion heater ensure that there is sufficient air to supply both appliances. This is to ensure the efficient operation of the heater and to allow a proper operation of the fan. The fan must discharge into a single fume pipe or directly outside.
12. This appliance can be used by children aged from 8 years and above and persons with reduced physical sensory or mental capabilities or lack of experience and knowledge if they have been given supervision or instruction concerning use of the appliance in a safe way and understand the hazards involved. Children shall not play with the appliance. Cleaning and user maintenance shall not be made by children without supervision

INTRODUCTION – INTENDED USE

The product is artistically made and it is installed to allow a constant air exchange inside the room. The recovery system can be generally installed in residential or public places.

The product is supplied with a ceramic heat exchanger that accumulates heat during the extraction of hot air coming from the room while, during the air intake from the outside, the device transfers to the inlet cold air, the thermal energy stored in the heat exchanger.

The product is designed for wall installation. The duct containing the heat exchanger is supplied for walls with a maximum thickness of 500mm; the duct can be shorten to a minimum of 250mm.

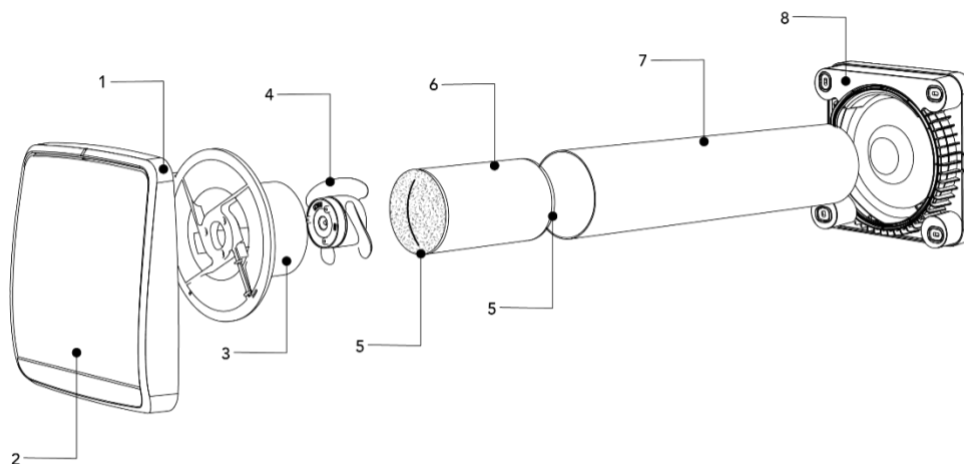
The extracted or incoming air must not contain inflammable or explosive mixtures, chemical vapors, dusts, oils and other pathogenic substances in general.

INTRODUCTION – PRODUCT OVERVIEW

The product is composed of a main unit with front tilting panel to be placed inside the room, a recessed duct that contains the ceramic heat exchanger and filters and an external soundproof grille.

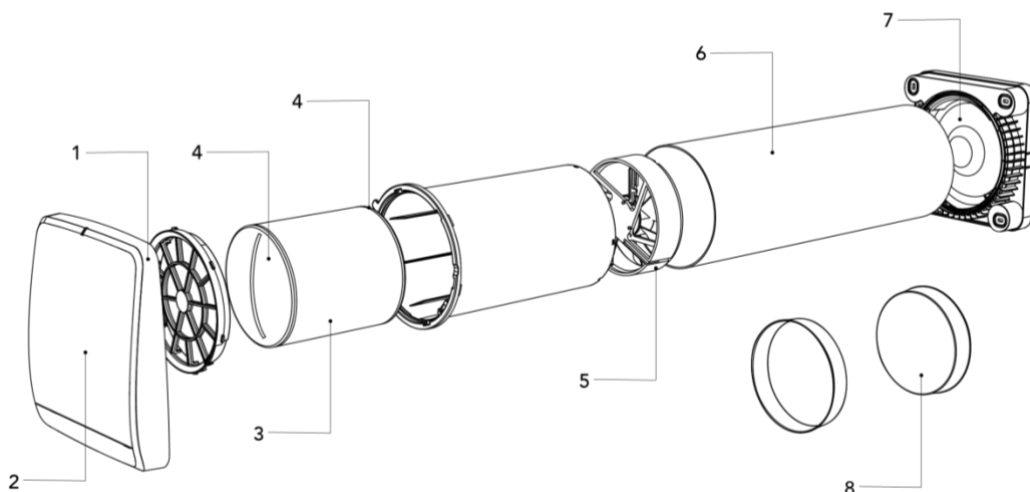
FITT AGIX FLAT 30 APP AGIX POINT

- | | |
|------------------------|------------------------|
| 1- Main unit | 5- Filters |
| 2- Front tilting panel | 6- Heat exchanger |
| 3- Motor support | 7- 500mm recessed duct |
| 4- Fan | 8- External grille |



FITT AGIX FLAT 60 APP AGIX POINT

- | | |
|------------------------|---------------------------|
| 1- Main unit | 5- Motor-impeller |
| 2- Front tilting panel | 6- 500mm recessed duct |
| 3- Heat exchanger | 7- External grille |
| 4- Filters | 8- Caps for recessed duct |



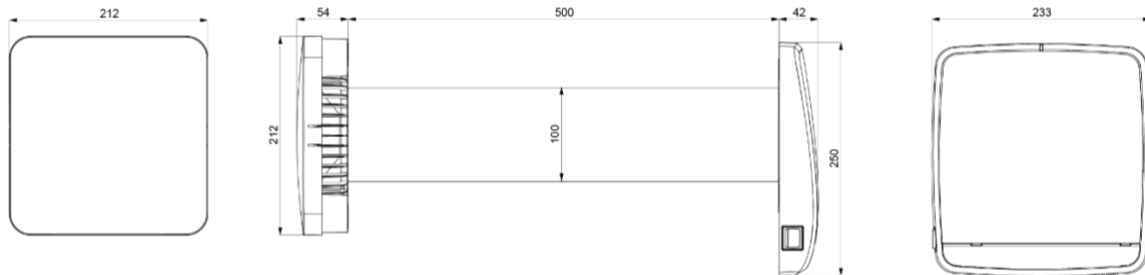
INTRODUCTION – TECHNICAL DATA

The heat recovery system is categorized as a class II product with IPX4 protection degree. The heat recovery system is projected for indoor installations with working temperatures between -30°C and +50°.

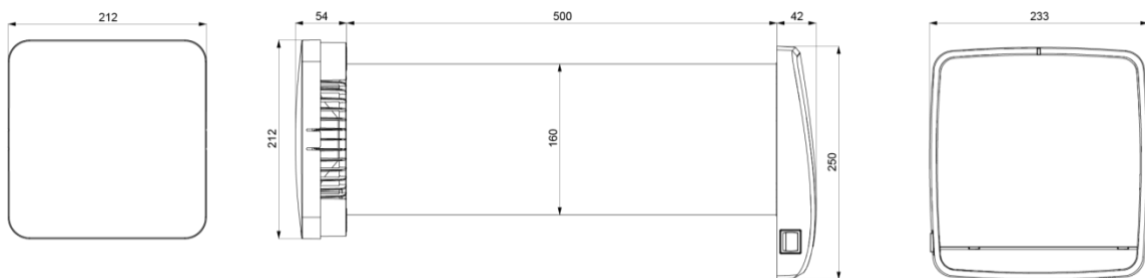
The design of the heat recovery system is in continuous evolution; therefore, some models may differ from those described in this manual.

DIMENSIONS (mm)

FITT AGIX FLAT 30 APP AGIX POINT



FITT AGIX FLAT 60 APP AGIX POINT



TECHNICAL PARAMETERS

FITT AGIX FLAT 30 APP AGIX POINT				
Voltage at 50Hz [V]	220-240			
Max efficiency	93%			
Speed	Night	1	2	3
Flow rate [m3/h]	5	10	20	30
Power [W]	4,0	4,7	5,6	6,9
Noise at 3m dB(A)	13	18	28	37

FITT AGIX FLAT 60 APP AGIX POINT				
Voltage at 50Hz [V]	220-240			
Max efficiency	93%			
Speed	Night	1	2	3
Flow rate [m3/h]	10	20	40	60
Power [W]	3,9	4,2	5,5	6,5
Noise at 3m dB(A)	4	8	18	25

INSTALLATION – INTRODUCTION

Installation must only be carried out by properly qualified person.

Make sure that the main electrical supply in the installation room is disconnected before starting the electrical operations of assembly.

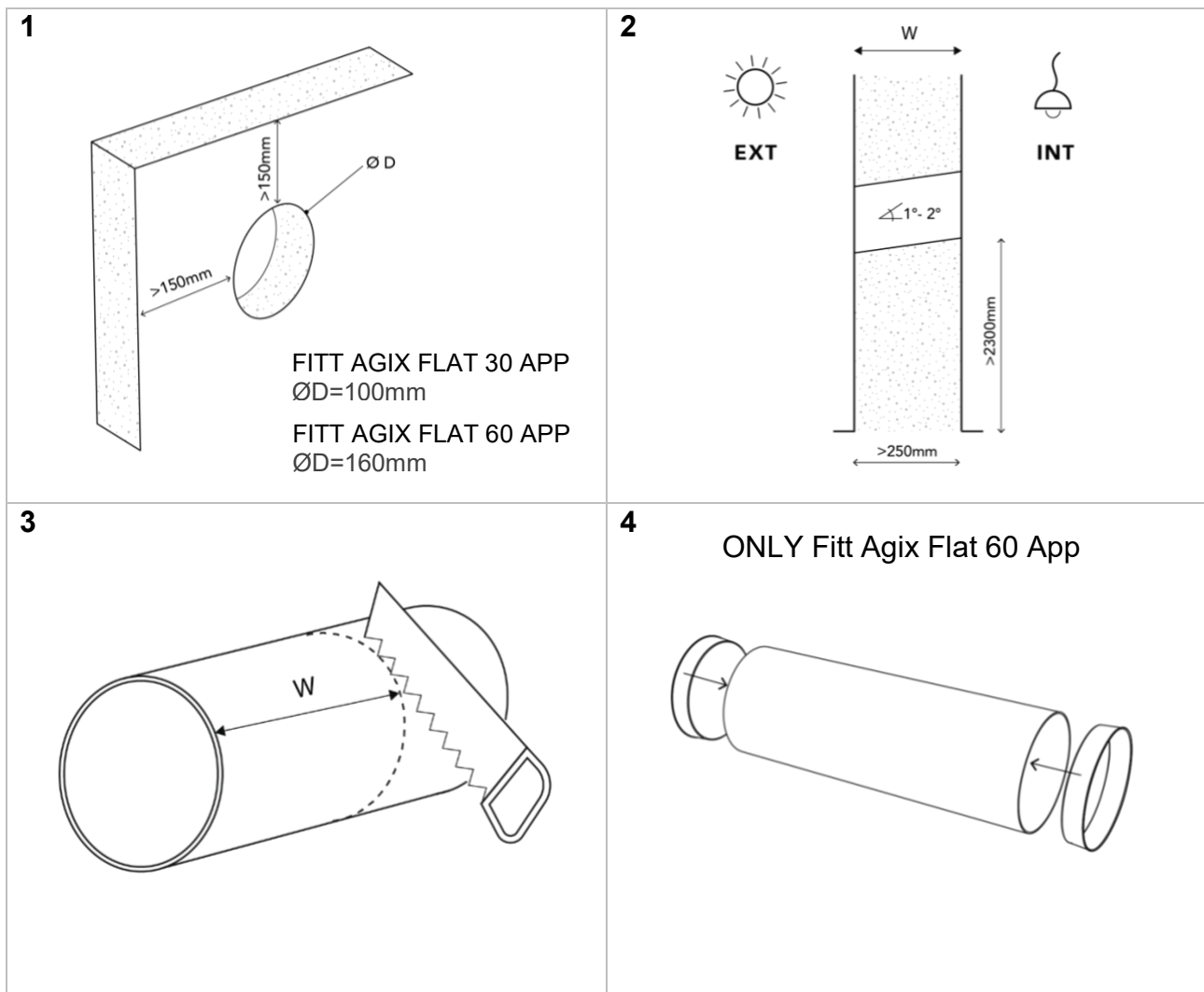
The appliance must not be installed near curtains, drapes, etc. as these could compromise the correct working of the product.

Make sure that, once installed, the fan blades are placed not less than 2,30m away from the floor below to the product. In case of installation of more than one appliance, the distance between the products must be at least 3m.

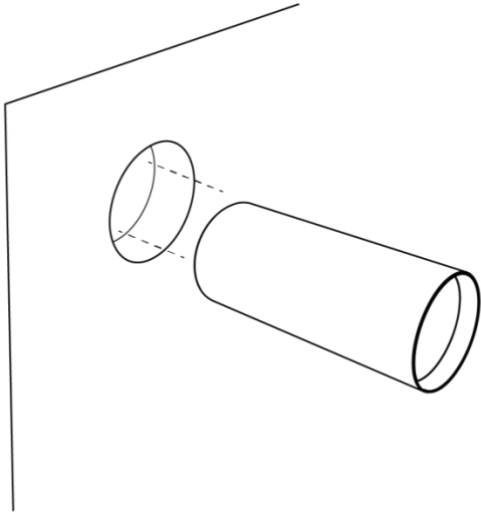
Before assembling or using this product, carefully read all the instructions in this manual and be sure to own all the necessary material for the installation.

Scrupulously follow the instructions in this manual.

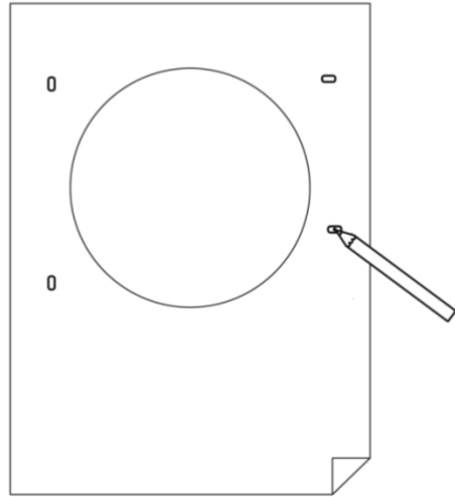
INSTALLATION – PREPARATION



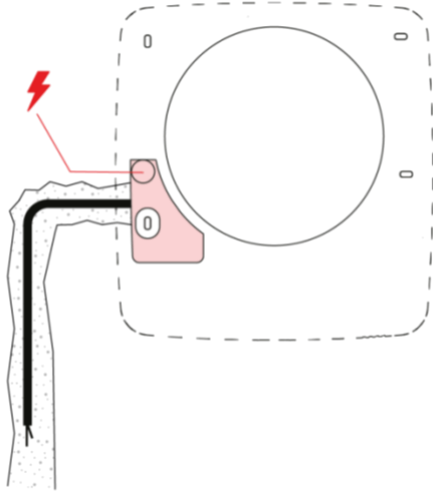
5



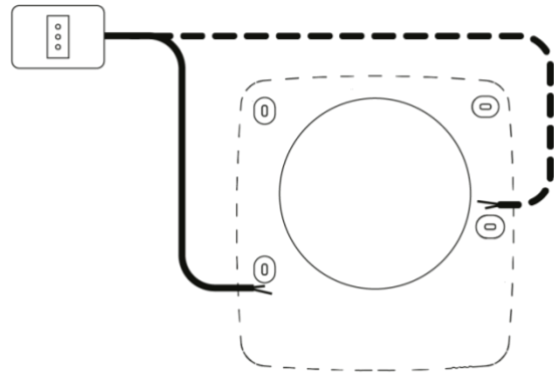
6



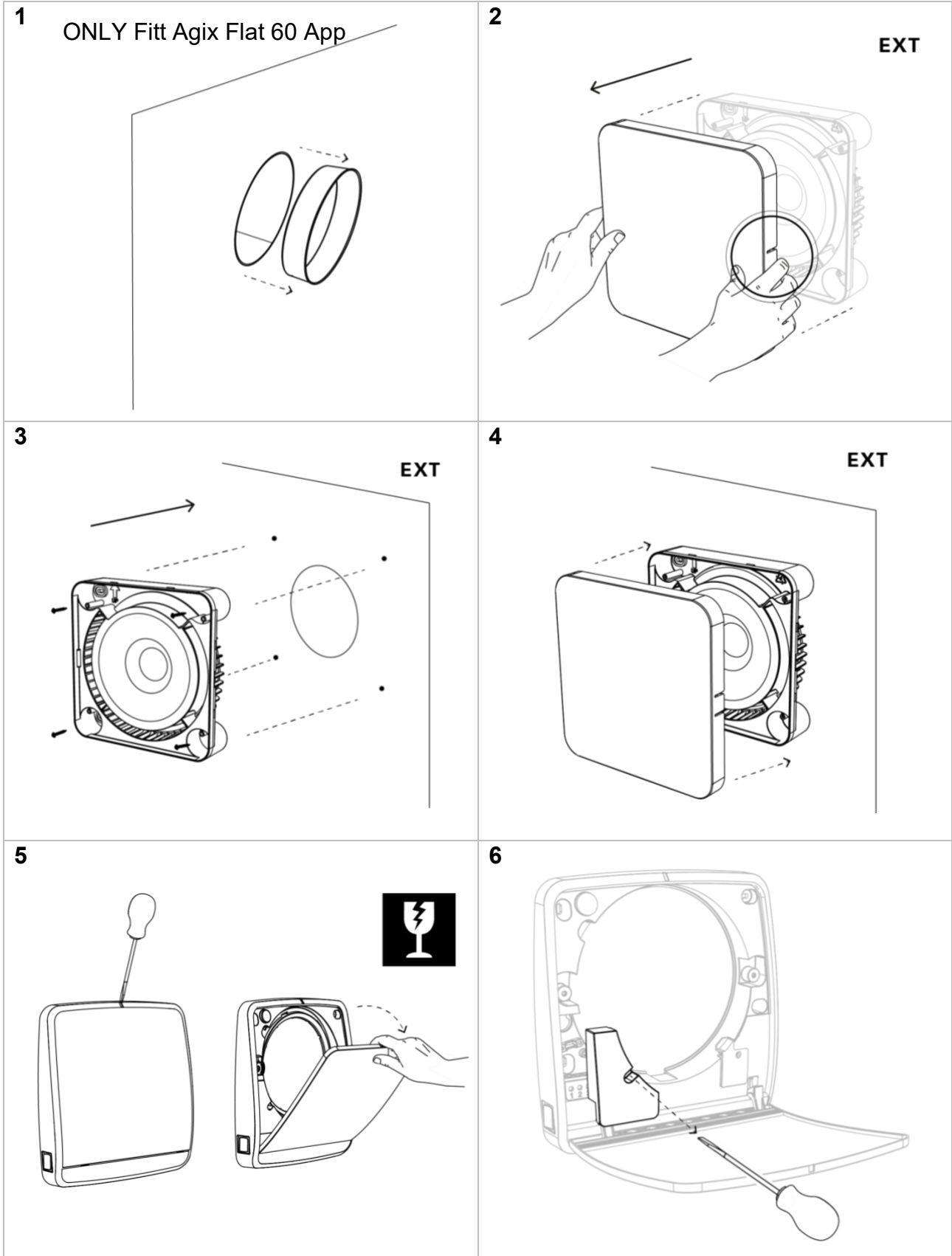
7 A



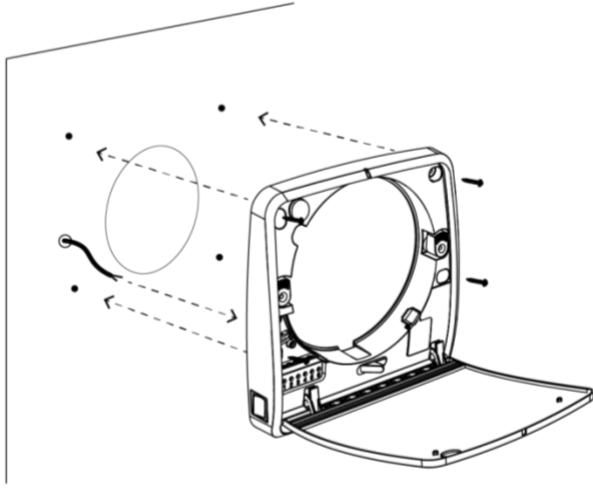
7 B



INSTALLATION – PRODUCT MOUNTING

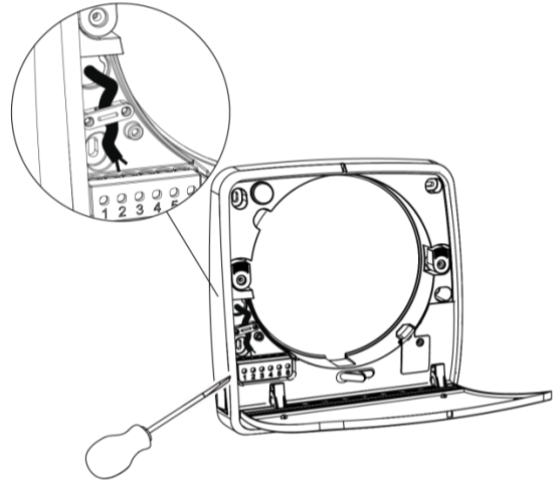


7

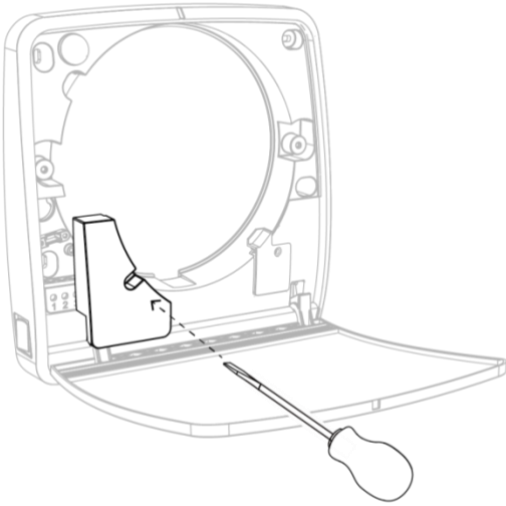


8

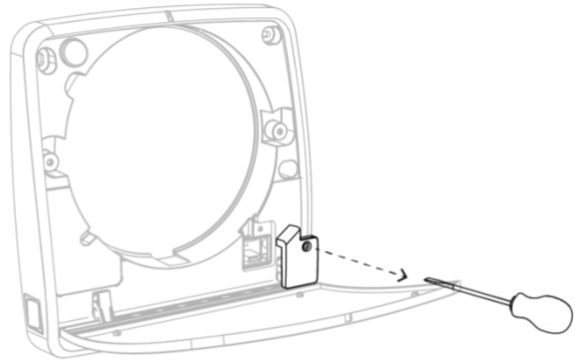
See section
"ELECTRICAL CONNECTIONS"



9

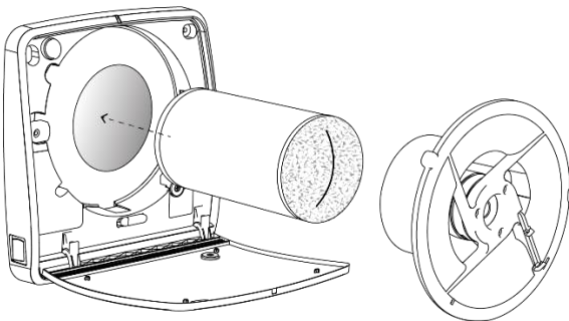


10



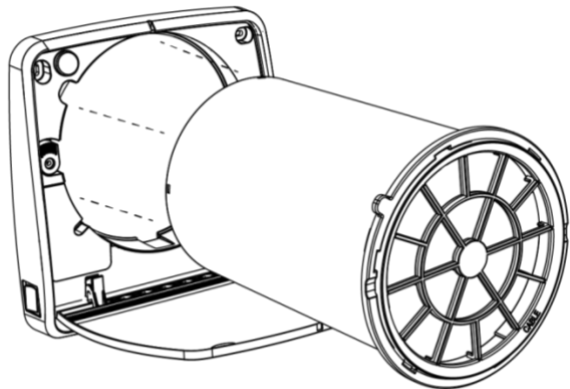
11 A

Fitt Agix Flat 30 App



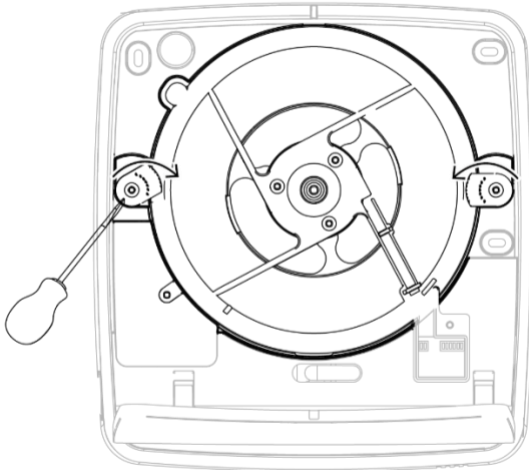
11 B

Fitt Agix Flat 60 App



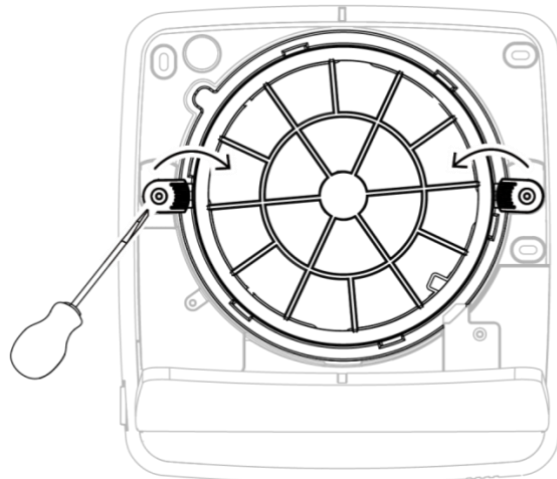
12 A

Fitt Agix Flat 30 App

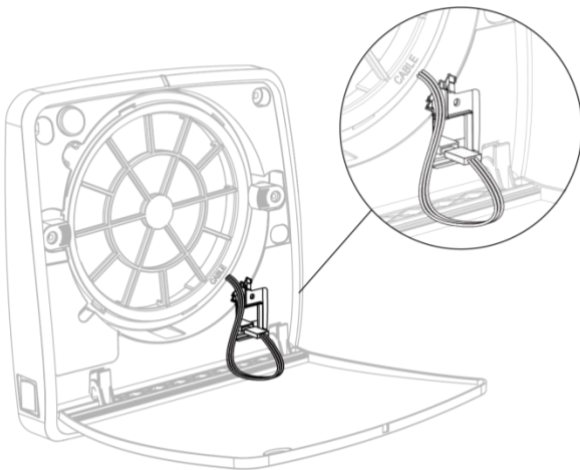


12 B

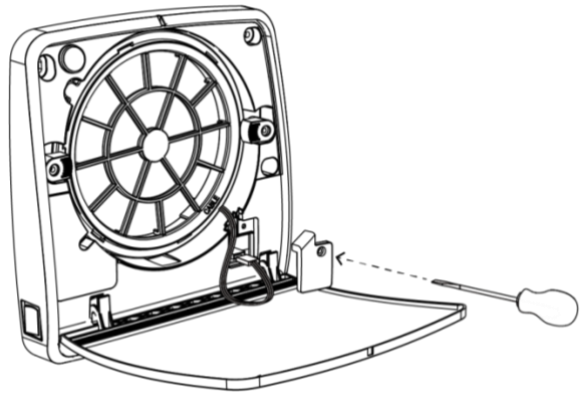
Fitt Agix Flat 60 App



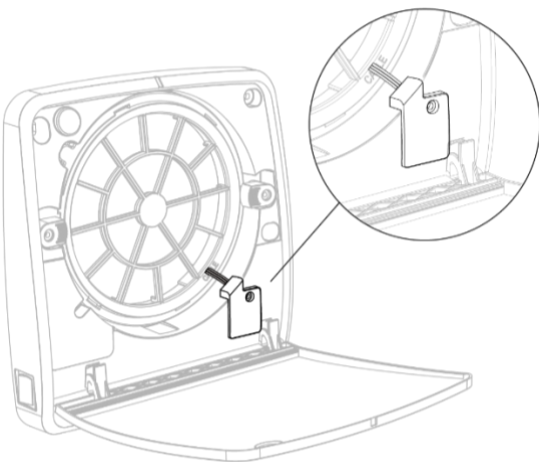
13



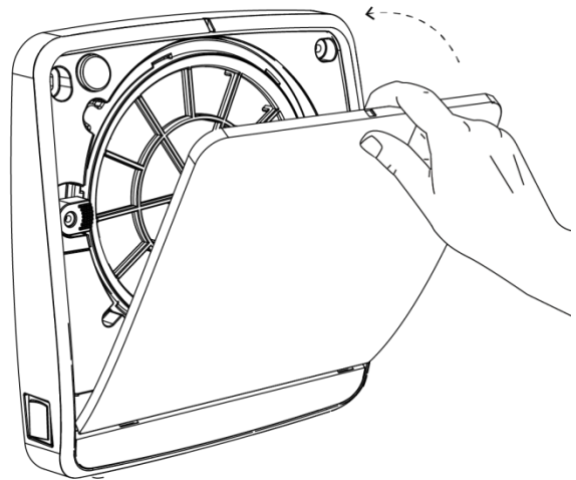
14



15

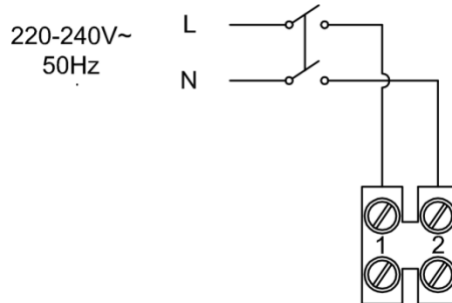


16



INSTALLATION – ELECTRICAL CONNECTIONS

Warning: during this stage all the products must have the main switch set on “0”.



INSTALLATION – CONFIGURATION

DOWNLOAD THE APP FROM THE STORE

Download the App “Agix Point” from the stores and install it on your smartphone.

REGISTRATION AND ACCOUNT CREATION

Open the App and follow the registration instruction.

If the registration has already been done, use the username and password to login.

HOME CREATION AND DEVICES ASSOCIATION

Proceed with the configuration of the installed devices following the procedure indicated in the App:

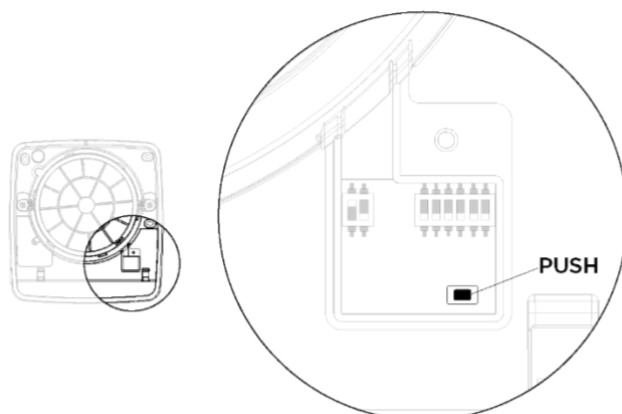
1. Creation of your own home
2. Research of installed devices and association of them in your home network
3. System configuration

WARNINGS: the reaction time of devices varies depending on the speed of the home connection.

INSTALLATION – RESET CONFIGURATION

In case of device configuration errors, a factory reset is possible which returns devices to their initial settings.

To reset, you must press the physical button shown in the following image for 15 seconds:



Once the reset is complete, the unit will emit an acoustic signal. At this the unit must be turned off using the main switch and then, turned it on again.

MAINTENANCE - WHEN IS NEEDED

Every 3000 hours of operation the light indicator on the MASTER fan unit will flash to remind you to do the product maintenance. At the same time, the FILTER STATUS indicator on the APP will turn red, which signals the need to do routine maintenance. At this point the products continue to work following the pre-set function with no possibility of changing it until the maintenance is carried out.

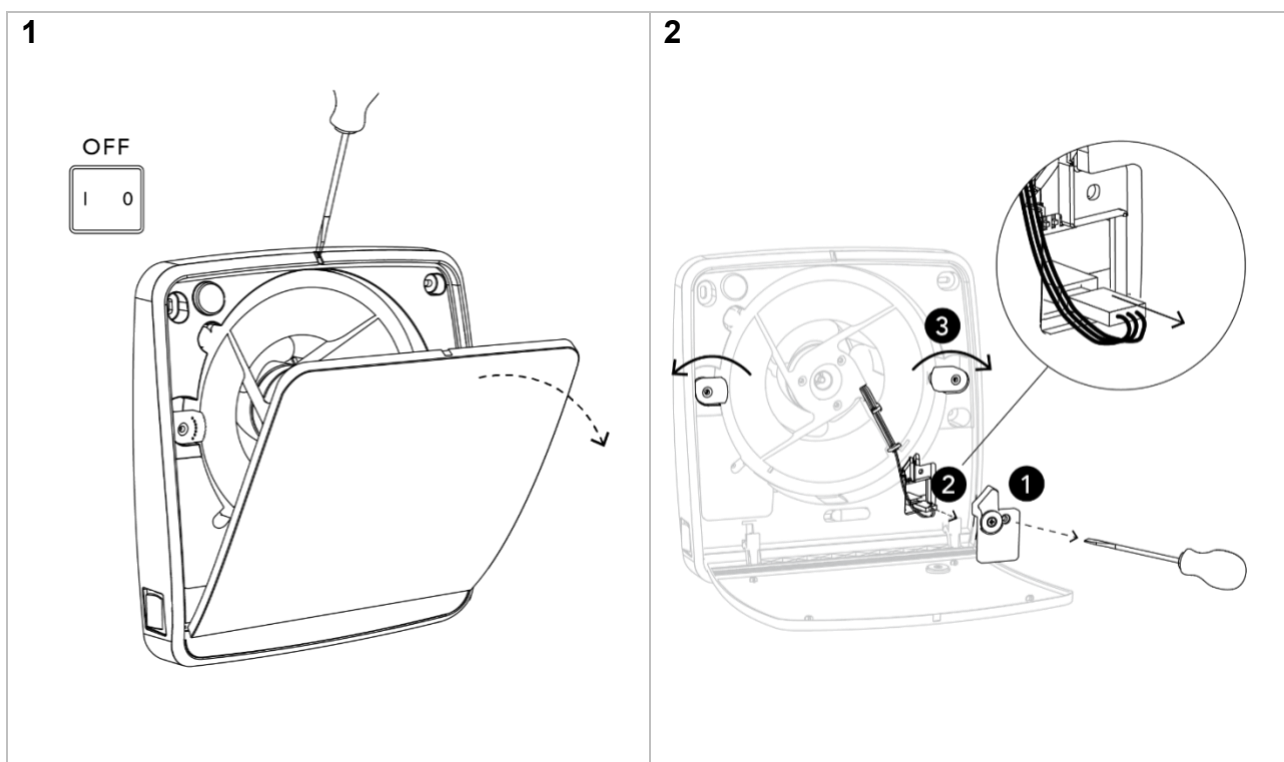
Once the maintenance has been carried out, the alarm can be reset by pressing the RESET button which can be found next to the FILTER STATUS on the App.

It is recommended to change the filters when the use of them compromise the air transit or when their effectiveness has failed or at most within 2 years. Please contact your reseller for a replacement filter kit.

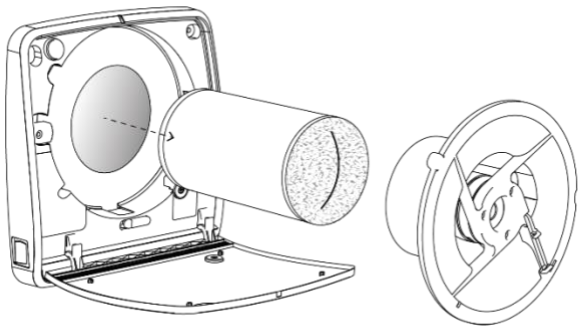
MAINTENANCE – HOW TO PERFORM

All the maintenance operations are intended for qualified personnel only.
Make sure that the network connection in the room is disconnected before performing maintenance operations.

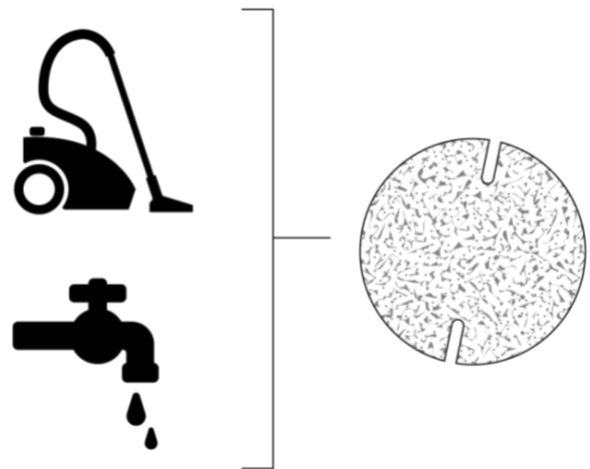
FITT AGIX FLAT 30 APP AGIX POINT



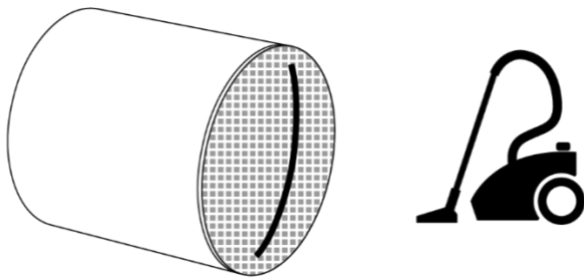
3



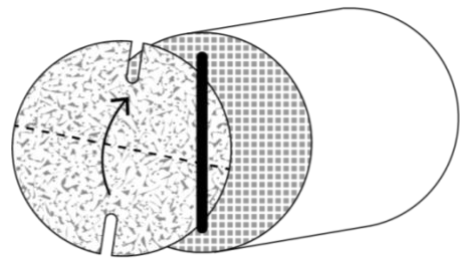
4



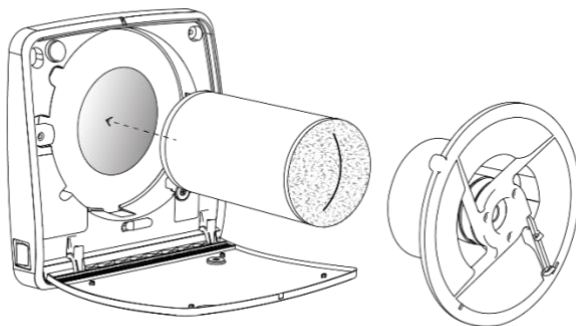
5



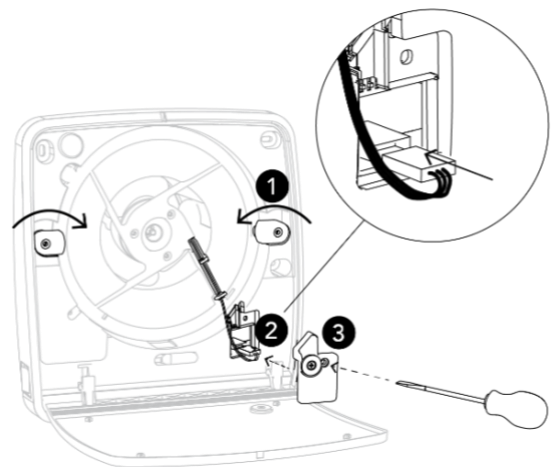
6

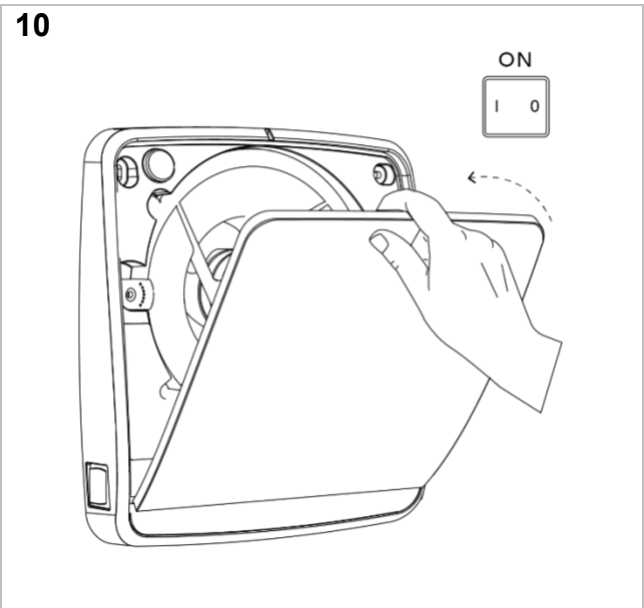
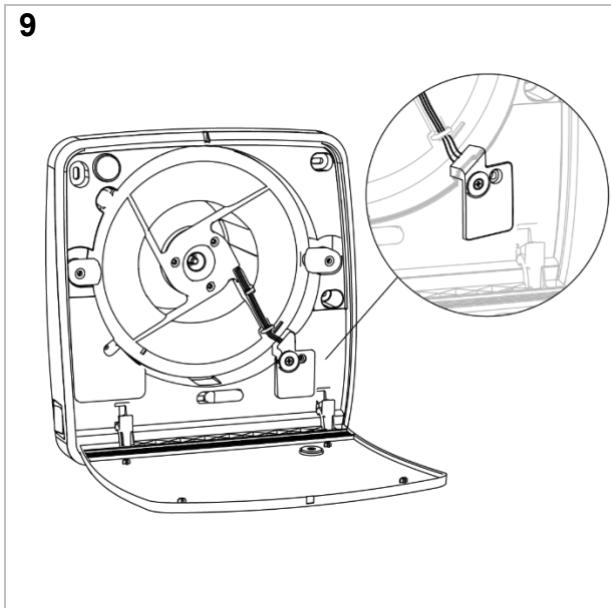


7

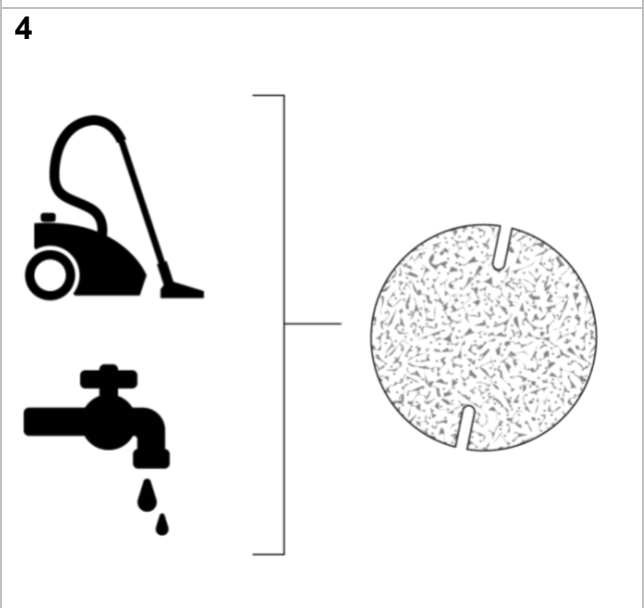
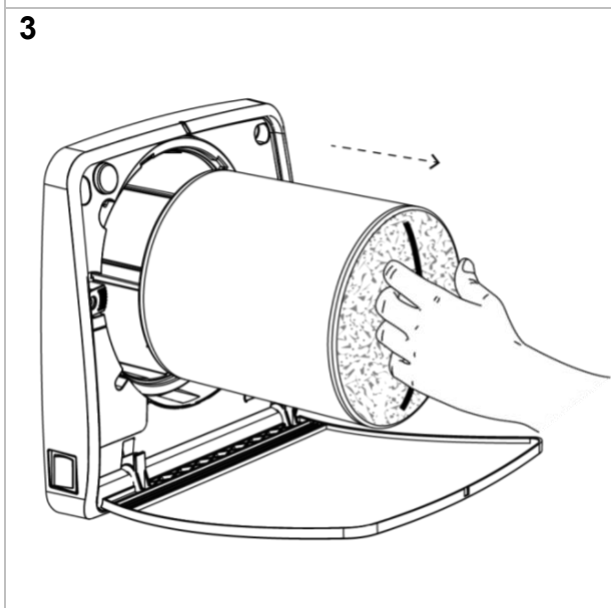
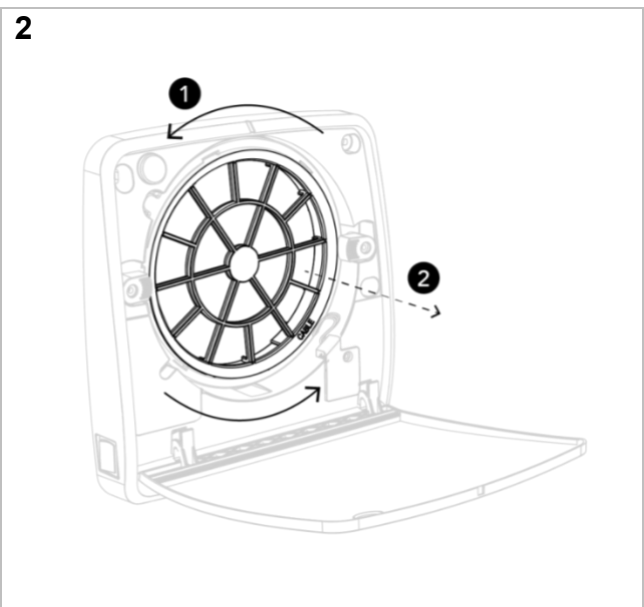
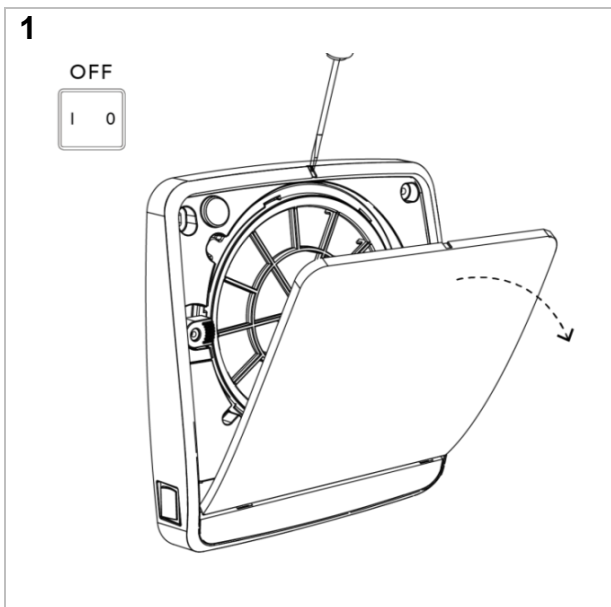


8

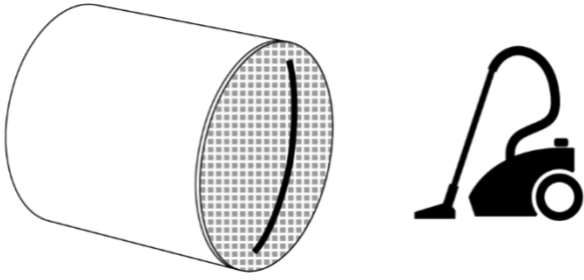




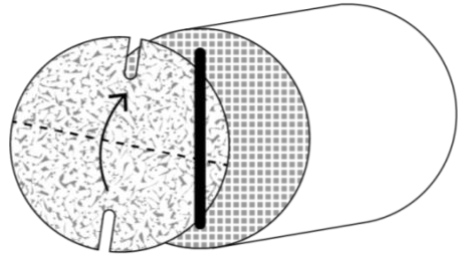
FITT AGIX FLAT 60 APP AGIX POINT



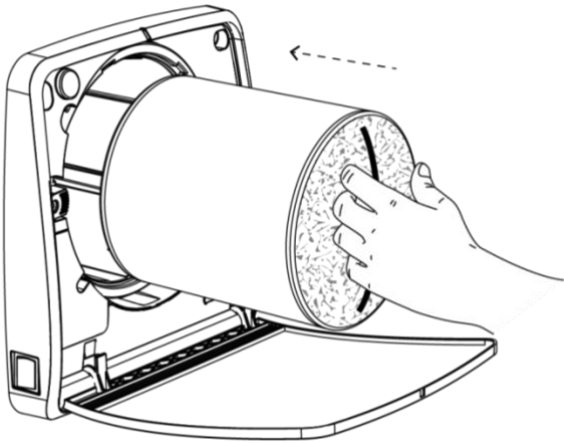
5



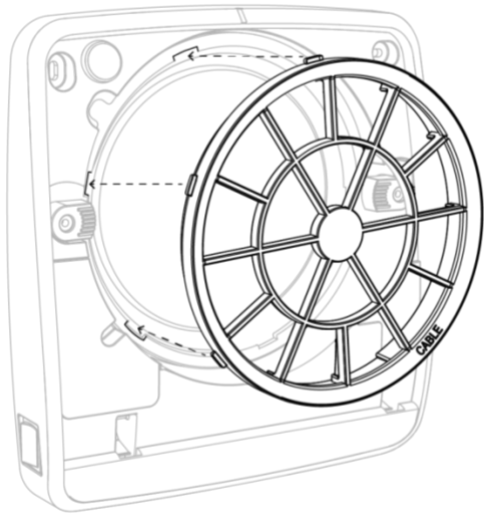
6



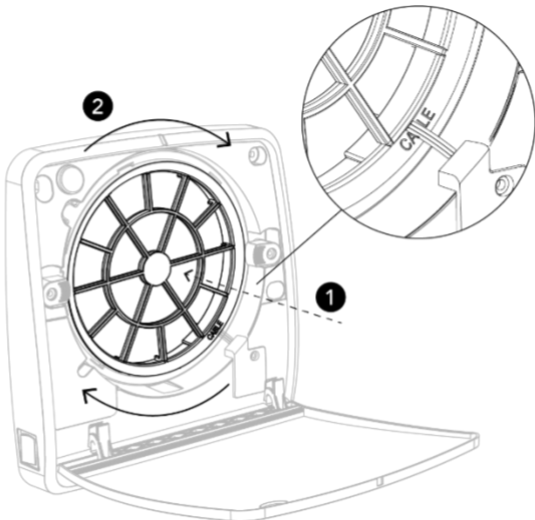
7



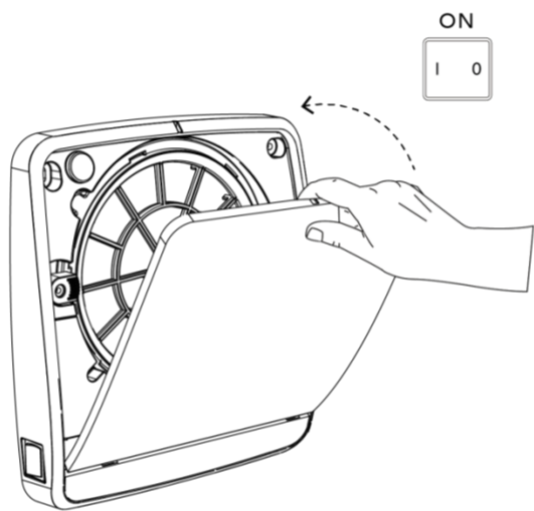
8



9



10



WARNINGS: When the maintenance has been completed and the product has been switched back on, it is necessary to wait few minutes for the product to reconnect to the Internet and for the connection to the data server to be restored. The waiting time may vary depending on the Internet connection speed.

FAQ

The product doesn't start	Ensure that the product is properly connected to the mains. Ensure that the ON/OFF switch (I/O) is in ON (I) position.
The product does not configure itself	Check that the wi-fi password entered is correct.
The APP does not detect all the configured products	The initial set-up phase makes use of Bluetooth, so you must be in close proximity to products to detect them correctly.

WARNING: If the problem detected is different from those listed above or whether the problem is not solved after following the indications, need to contact an authorized service center.

FITT VENTILATION SOLUTIONS

This is the business area of the FITT Group that develops professional solutions, manufacturing complete HRV (Heat Recovery Ventilation) and air distribution systems for the air quality of residential environments, for energy saving and the comfort of people.

For more information:

AIRPLAST S.r.l. a sole shareholder company

Head Office: Via Piave, 8 – 36066 Sandrigo (VI), Italy

Warehouse - Production: Via Aldo Moro, 10 – 36060 Pianezze (VI), Italy

Tel: +39 0424 1754519 | airplast.it

Airplast S.r.l. is a company of the FITT Group