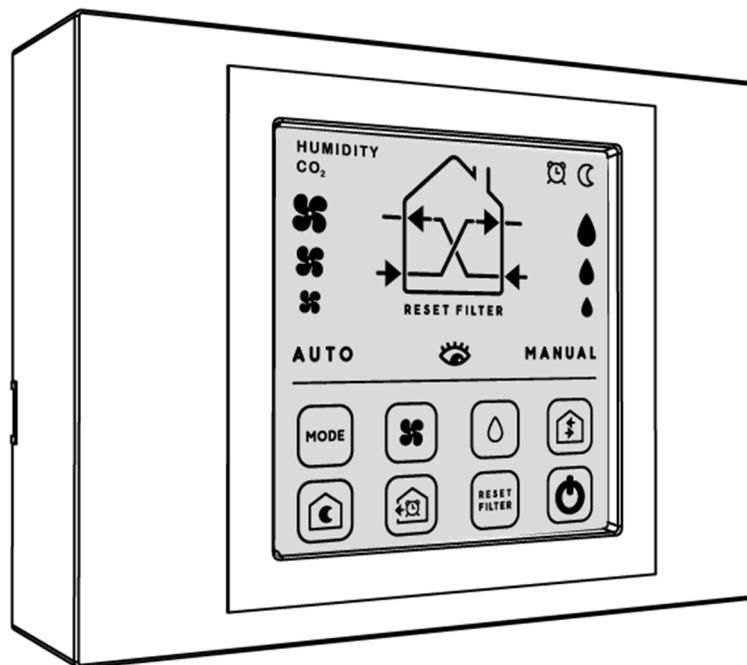


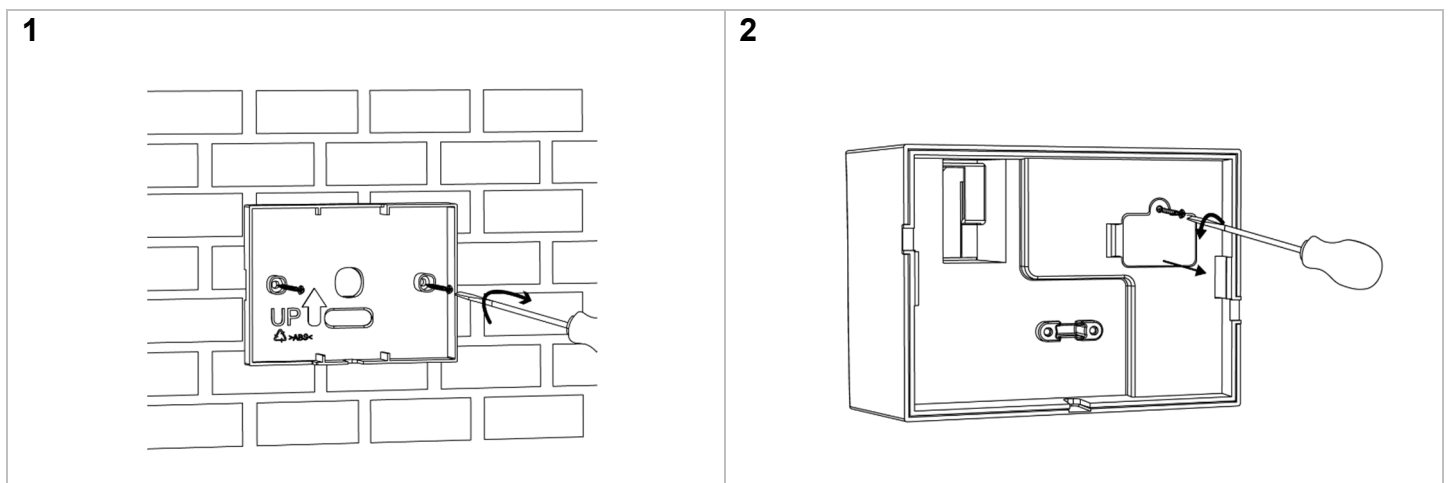
# FITT Agix PR Master



## INTRODUCTION – GENERAL WARNINGS

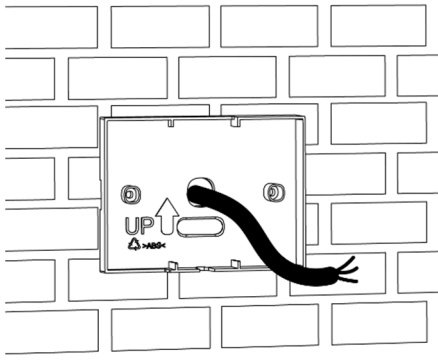
This product must only be installed by qualified personnel. Before proceeding with the installation, please read the warnings in the ventilation unit manual carefully.

## INSTALLATION – PRODUCT ASSEMBLY



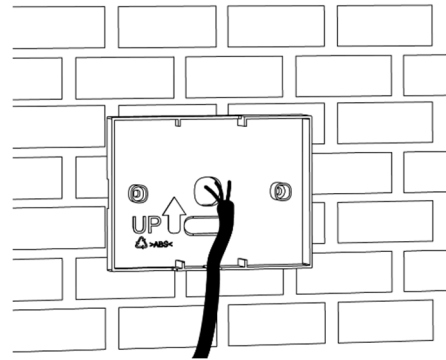
3

**A**



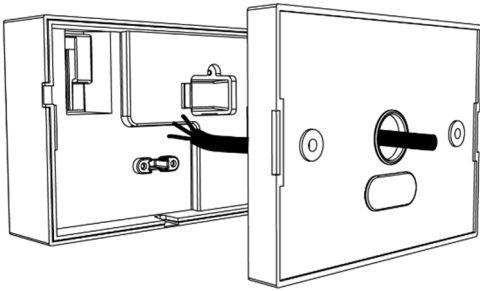
3

**B**



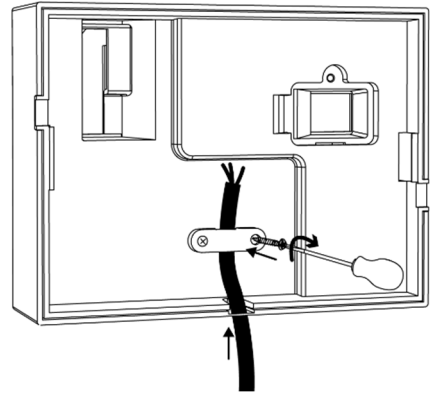
4

**A**



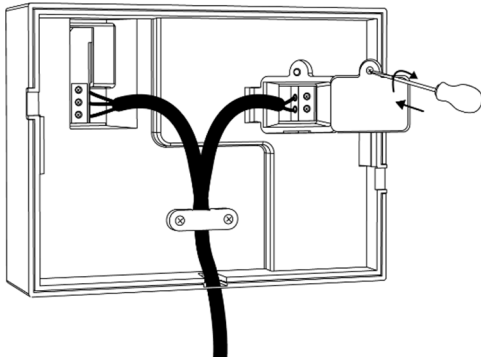
4

**B**



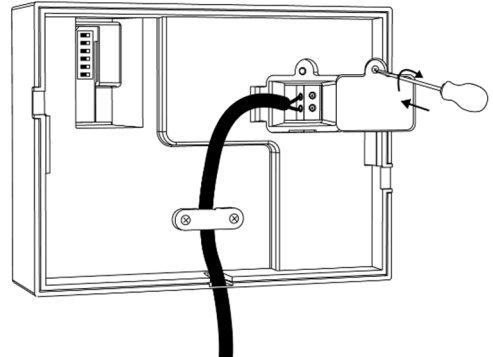
5

**DUO**



6

**WIRELESS**

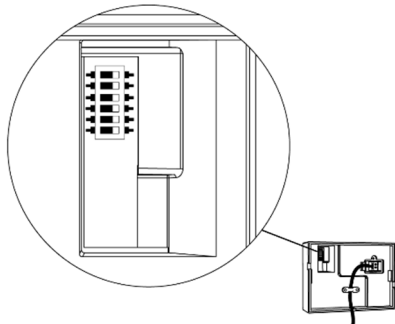


See the section entitled "ELECTRICAL CONNECTIONS"

See the section entitled "ELECTRICAL CONNECTIONS"

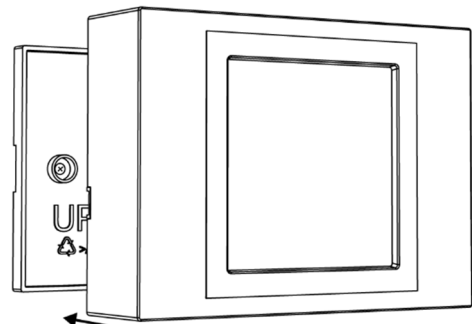
7

**WIRELESS**



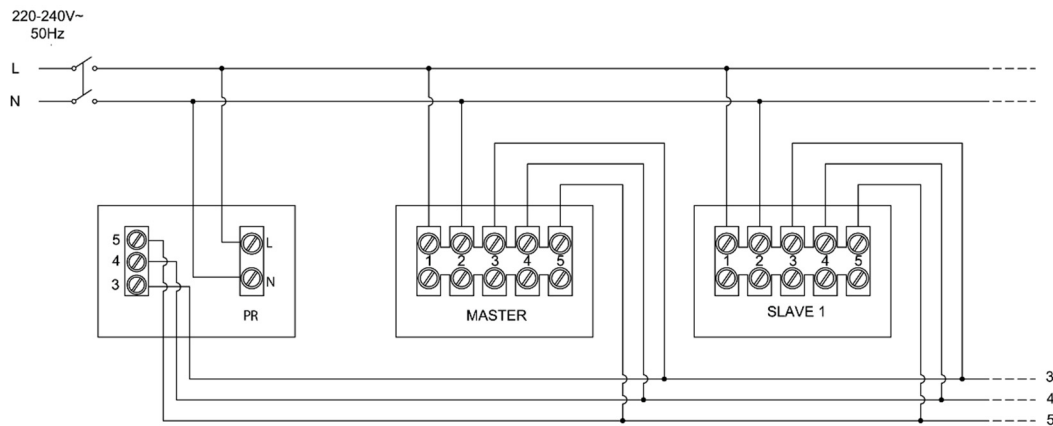
See the "CONFIGURATION" section

8

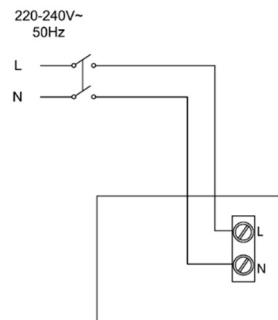


# INSTALLATION – ELECTRICAL CONNECTIONS

## DUO

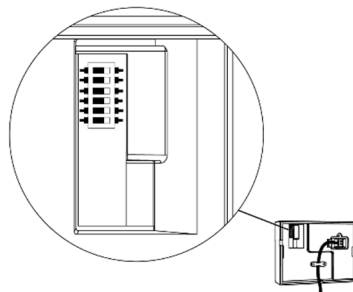


## WIRELESS



# INSTALLATION – CONFIGURATION

## WIRELESS



In the Wireless model, a unique code must be created for each system so that the products communicate only with each other and not with neighbouring systems.

The figure above shows the 6 0/1 DIP switches used to create the unique network code for the wireless system.

Ensure that the code on the remote panel is the same as that of all the Wireless units in the system.

# KEYBOARD GLOSSARY



- S** Unlock button
- V** Manual speed selection
- H** Relative humidity threshold selection
- M** Main mode selection Night mode selection
- N** selection
- B** Timed exhaust mode selection Airflow mode selection
- R** Filter alarm reset

## INSTRUCTIONS FOR USE

To select one of the functions, press the corresponding button. To unlock the buttons and view the operating modes, press the (S) button on the display.

For a full explanation of all operating modes, please refer to the “INSTALLATION, OPERATING AND MAINTENANCE MANUAL” for the fan unit.

## RECYCLING

Dispose of the packaging responsibly and in accordance with local regulations. .



Cod. P06408000

Rev.00 - Gen. 2025